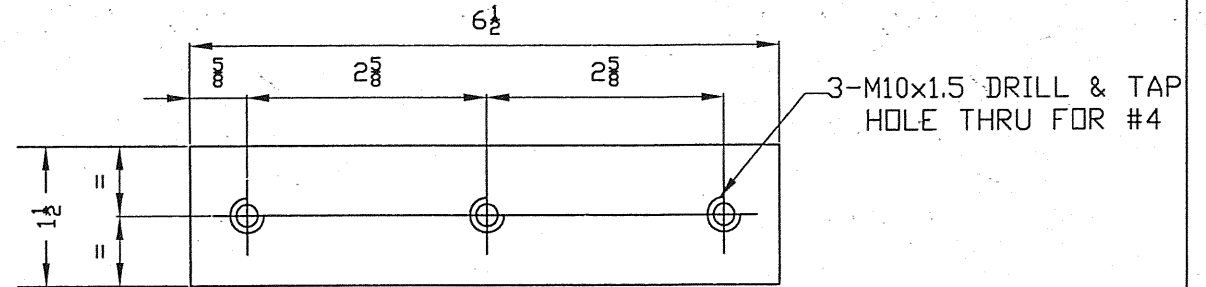
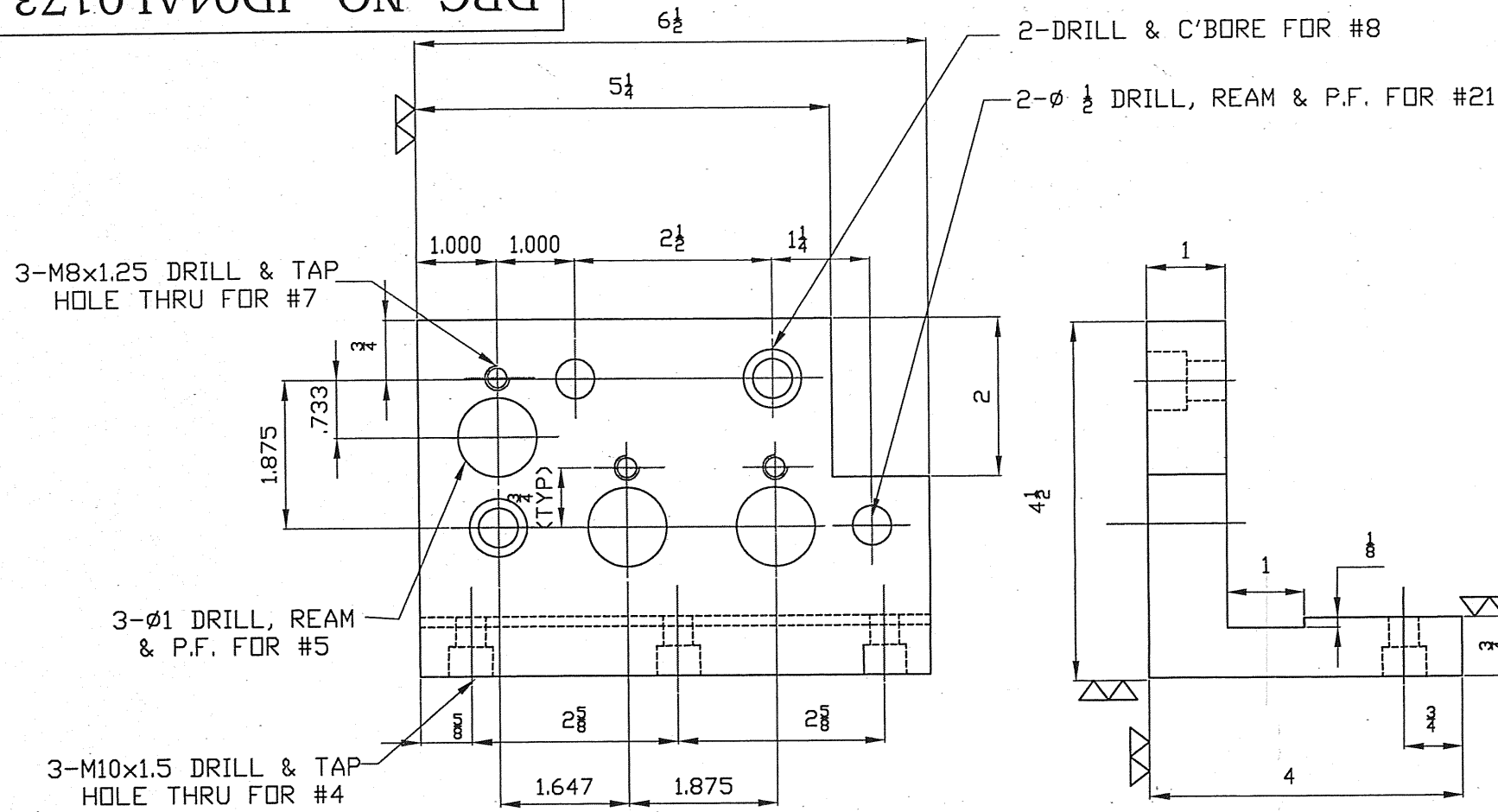
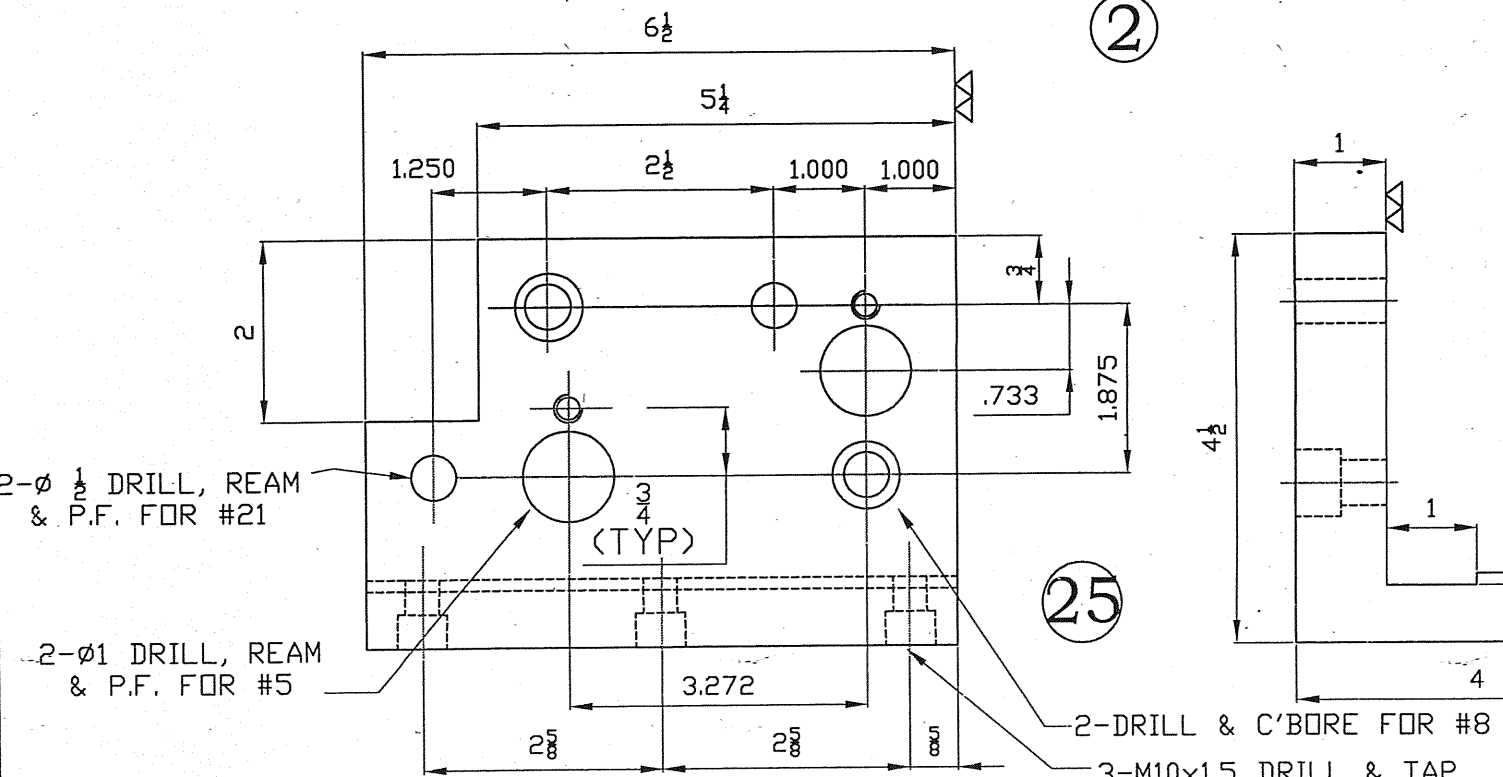
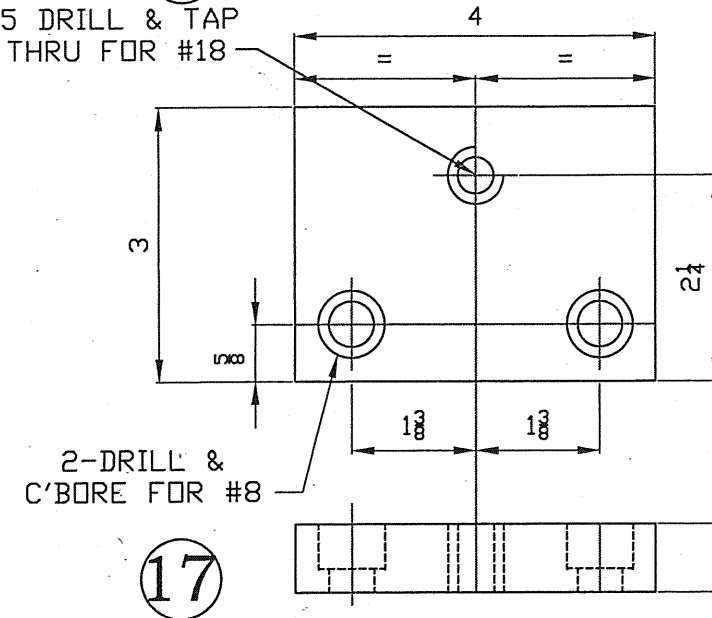


DRG. NO.-JD04AL0173

ALT. DESCRIPTION DATE INITIAL



③ HARDNESS=HRC 45-50
1-M16x1.5 DRILL & TAP HOLE THRU FOR #18



सन्दर्भ निमित्त
11 JUL 2010
FOR REFERENCE ONLY

DO NOT SCALE THE DRAWING IF IN DOUBT ASK

OLD DRG.NO.-JD(E)-139

| | | | | | | | | | | | | |
|-----------|-------|-------|-----|-----|-----|-----|-----|-----|-----|------|-----|-----|
| GRADE NO. | N1 | N2 | N3 | N4 | N5 | N6 | N7 | N8 | N9 | N10 | N11 | N12 |
| Ra UM | 0.025 | 0.050 | 0.1 | 0.2 | 0.4 | 0.8 | 1.6 | 3.2 | 6.3 | 12.5 | 25 | 50 |
| SYMBOL | ▽▽▽ | | | ▽▽▽ | | | ▽▽ | | | ▽ | | ~ |

FOR RECORD
9.02.08

| | | | | |
|--------------------------------|---------|------------------------------|------------------------------------|-------------------------------|
| REDRAWN | CHECKED | Sr. S.E. | Sd/- | Sd/- |
| Sd/- V.S.SHARMA 06/02/08 | | Sd/- B.P.PANDEY /02/08 | Sd/- K.K. MALHOTRA /02/08 | Sd/- S.K.KATIYAR /02/08 |
| | | | WM/MOD/TLG | DY/CME/T |

| SHT NO. | REF. NO. | DESCRIPTION | MATL. | QTY PER SET | REMARKS |
|--------------------------------|--------------------|--|------------|-------------|---------|
| TITLE:- | | DRILL JIG FOR CYL. BLOCK (GEN END) | | | |
| TYPE OF LOCO. | | ALCO | | | |
| USED ON:- | | 10020070/31-AA-71561(MW NO.-972/HMS) | | | |
| REF. NO. | | JD(E)-139 | | | |
| SCALE:- NTS | | JIG AND TOOL OFFICE DIESEL LOCO WORKS VARANASI | | | |
| DATE:-02.02.2008 | | | | | |
| SHEET NO. 04 | NO.OF SHEET 04 | | | | |
| DRAWN | CHECKED | Sr. S.E. | Sd/- | Sd/- | |
| Sd/- B.P.PANDEY 17/06/88 | Sd/- R.C.MONDAL | Sd/- A.K.ABID | H.P.SHARMA | ANIL SHARMA | |
| | | | A.P.E. | Dy.CME (T) | |
| DRG. NO.- | | JD04AL0173 | | | |