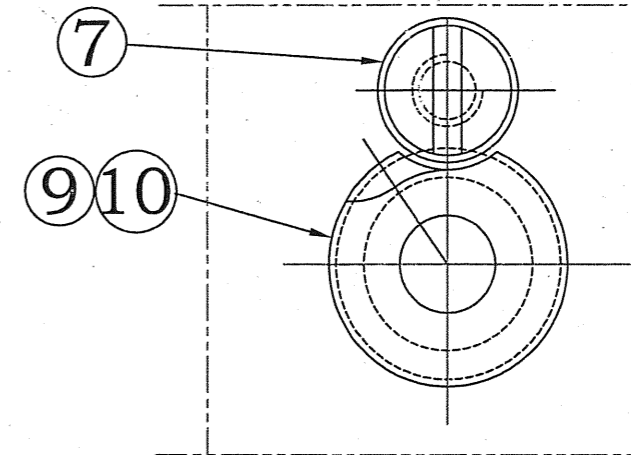


DRG. NO.-JD04AL0173

ALT.	DESCRIPTION	DATE	INITIAL
A	REVISED & REDRAWN ON AUTOCAD	06/02/08	V.S.SHARMA

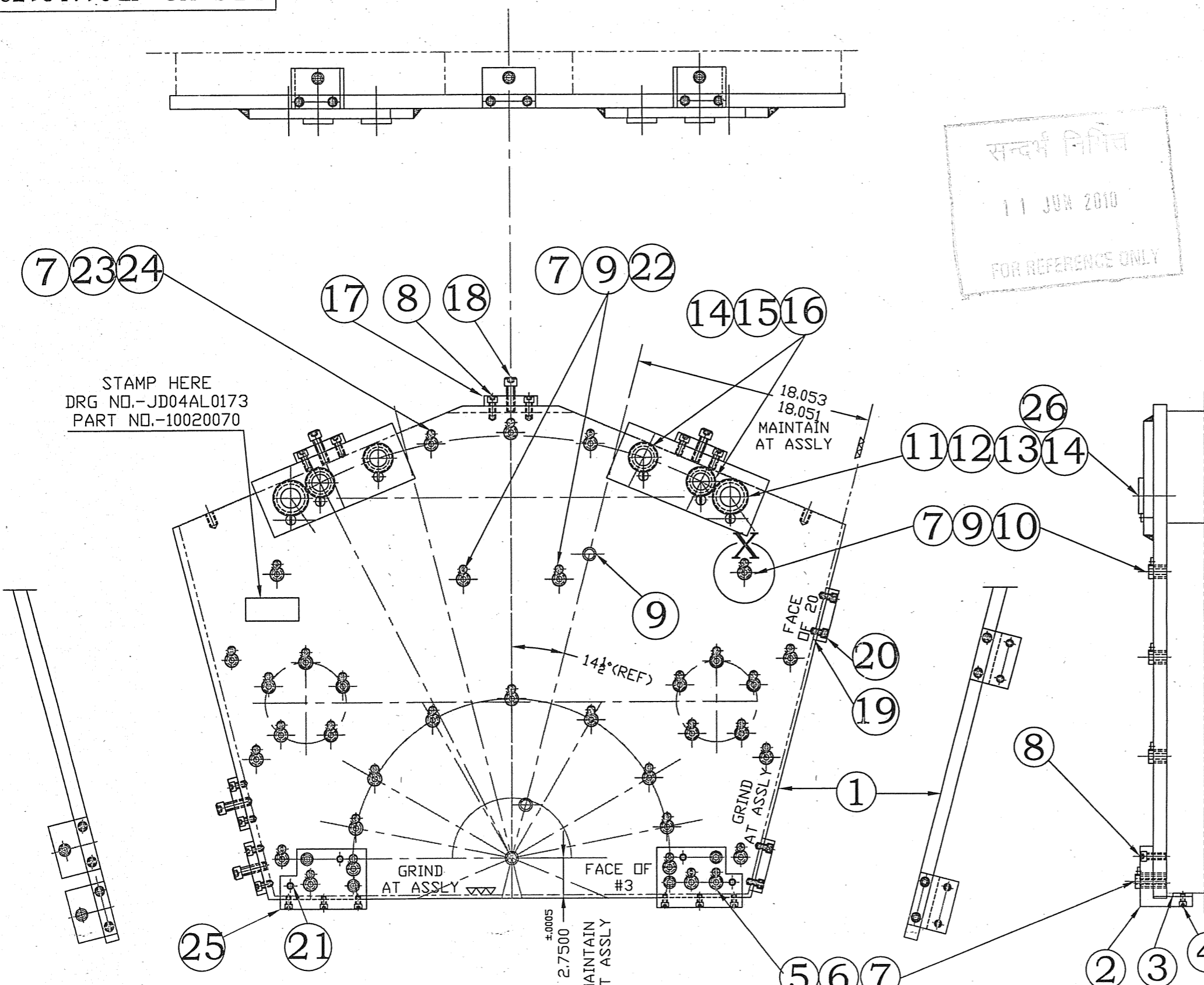


DETAIL AT -X

NOTE:-

1. ALL DIMENSIONS IN INCHES / MM UNLESS OTHERWISE SPECIFIED.
2. BREAK ALL SHARP CORNERS $\frac{1}{64}$ "
3. STAMP ON DRG. NO. JD04AL0173
COMP.NO. 10020070
4. TOLERANCE ON DECIMAL DIMENSIONS NOT OTHERWISE SPECIFIED ± 0.002 " / 0.05MM
FRACTIONAL ± 0.010 " / 0.25 MM NOT CUMULATIVE
5. WELDMENT TO BE NORMALIZED.
6. MACHINE ALL OVER EXCEPT SHOWN

सन्दर्भ निमित्त
11 JUN 2010
FOR REFERENCE ONLY



STAMP HERE
DRG NO.-JD04AL0173
PART NO.-10020070

OLD DRG.NO.-JD(E)-139

U.C.-45(ONLY FOR TR)

DO NOT SCALE THE DRAWING IF IN DOUBT ASK

GRADE NO.	N1	N2	N3	N4	N5	N6	N7	N8	N9	N10	N11	N12
Ra UM	0.025	0.050	0.1	0.2	0.4	0.8	1.6	3.2	6.3	12.5	25	50
SYMBOL	▽▽▽			▽▽			▽			~		

REDRAWN	CHECKED	Sr. S.E.	Sd/-	Sd/-
Sd/- V.S.SHARMA 06/02/08		Sd/- B.P.PANDEY /02/08	Sd/- K.K. MALHOTRA /02/08	Sd/- S.K.KATIYAR /02/08
			WM/MOD/TLG	DY/CME/T

SHT NO.	REF. NO.	DESCRIPTION	MATL.	QTY PER SET	REMARKS
TITLE:-		DRILL JIG FOR CYL. BLOCK (GEN END)			
TYPE OF LOCO.		ALCO			
USED ON:-		10020070/31-AA-71561(MW NO.-972/HMS)			
REF. NO.		JD(E)-139			
SCALE:- NTS		JIG AND TOOL OFFICE DIESEL LOCO WORKS VARANASI			
DATE:-02.02.2008					
SHEET NO. 01	NO.OF SHEET 04				
DRAWN	CHECKED	Sr. S.E.	Sd/-	Sd/-	
Sd/- B.P.PANDEY 17/06/88	Sd/- R.C.MONDAL	Sd/- A.K.ABID	H.P.SHARMA	ANIL SHARMA	
			A.P.E.	Dy. CME (I)	
DRG. NO.-		JD04AL0173			

S No 13.634

9.2.08