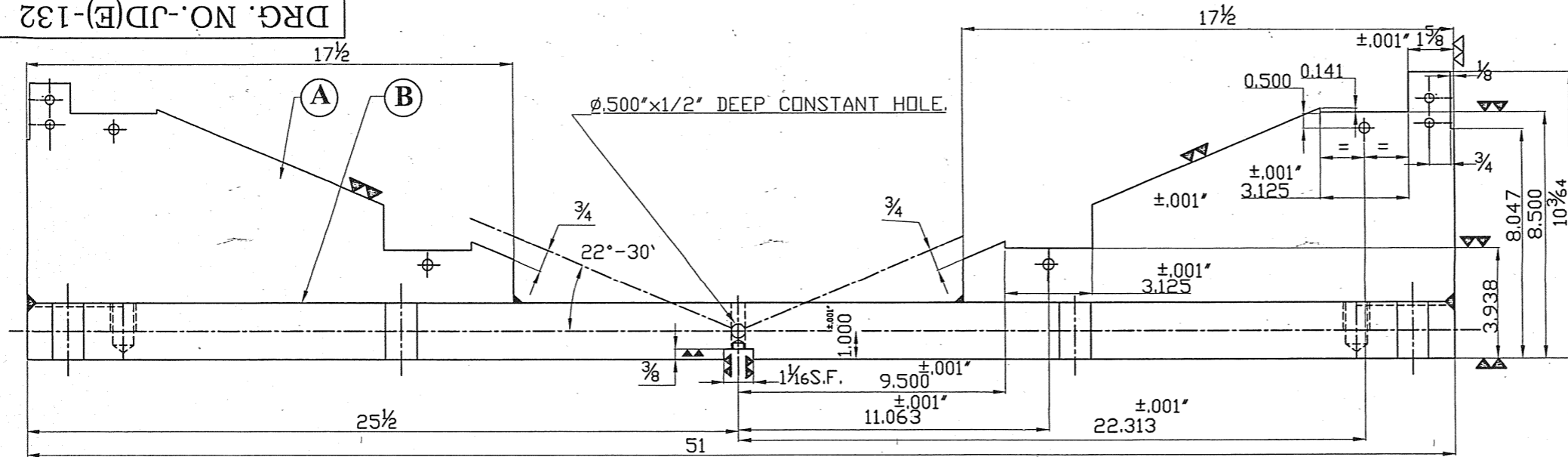
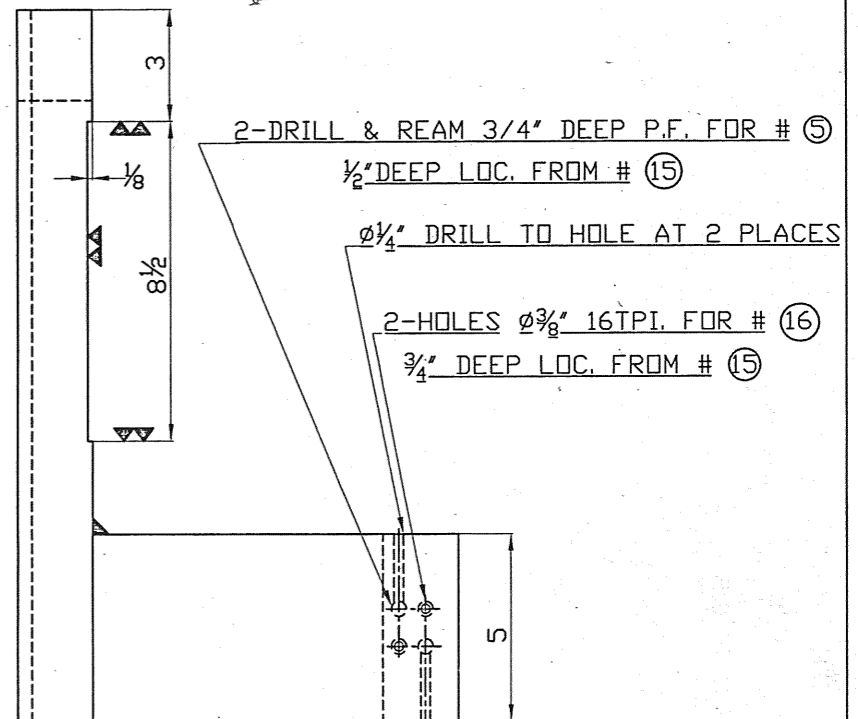
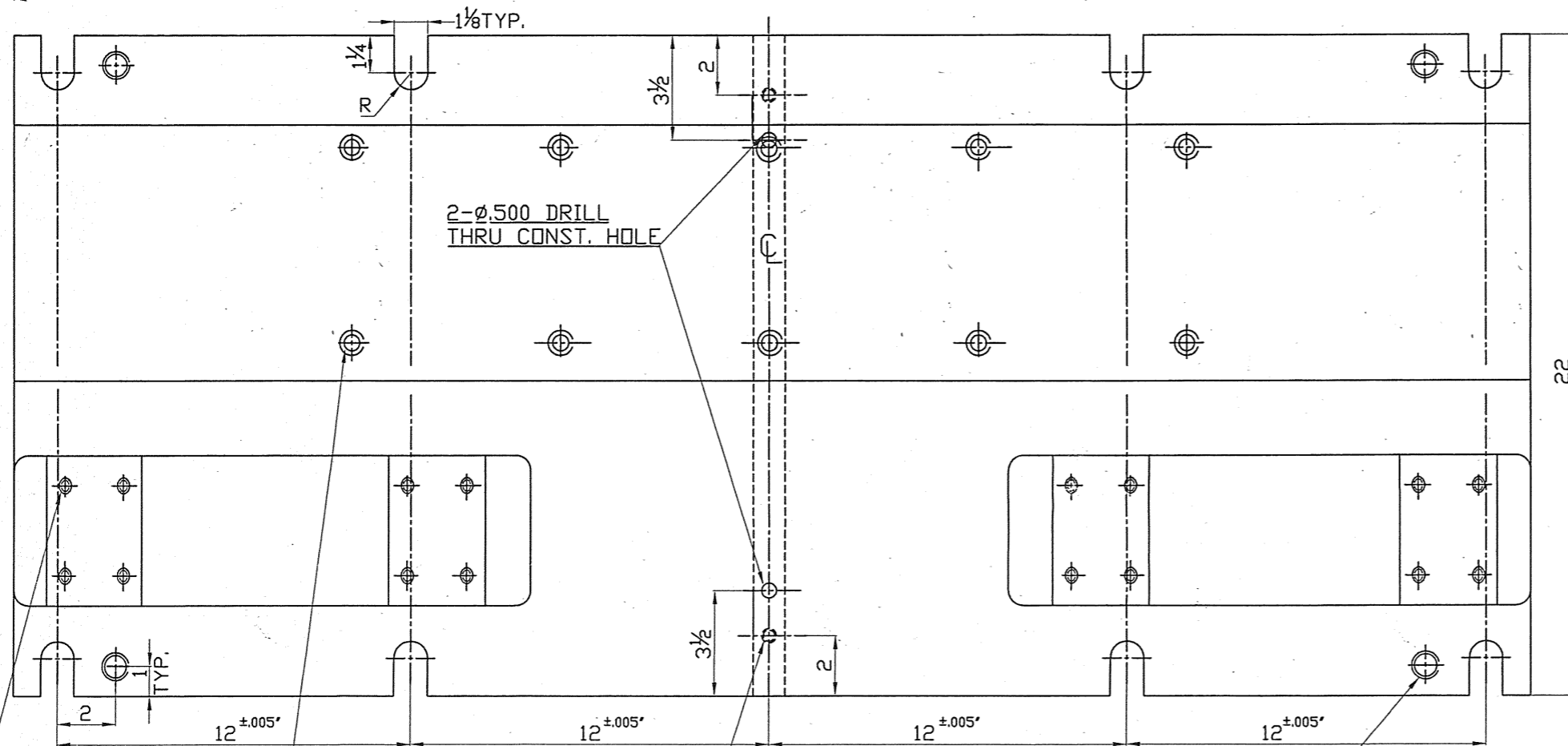


DRG. NO.-JD(E)-132

ALT.	DESCRIPTION	DATE	INITIAL
'A'	DRG. REVISED & REDRAWN ON AUTOCAD	28.06.06	



सन्दर्भ निमित्त
11 JUN 2010
FOR REFERENCE ONLY



- 4-0.375" 16TPI. HOLES FOR # 20
- 3/4" DEEP AT 4 PLACES LOC. FROM # 2
- 10-0.5" 13TPI. HOLES FOR # 14
- 1" DEEP LOC. FROM # 7
- 2-0.375" 16TPI. HOLES FOR # 16
- 4-0.375" 10TPI. HOLES 1/2" DEEP (LIFT)

NOTE:-

1. ALL DIMENSIONS IN INCHES UNLESS OTHERWISE SPECIFIED.
2. BREAK ALL SHARP CORNERS 1/4"
3. STAMP ON DRG. NO. JD(E)-132
COMP. NO.
4. TOLERANCE ON DECIMAL DIMENSIONS NOT OTHERWISE SPECIFIED ±.002" FRACTIONAL ±.001" / NOT CUMULATIVE
5. WELDMENT TO BE NORMALIZED.

FIRST ANGLE PROJECTION

DO NOT SCALE THE DRAWING IF IN DOUBT ASK

GRADE NO.	N1	N2	N3	N4	N5	N6	N7	N8	N9	N10	N11	N12
Ra UM	0.025	0.050	0.1	0.2	0.4	0.8	1.6	3.2	6.3	12.5	25	50
SYMBOL	▽▽▽			▽▽			▽		▽		~	

① R.H. SHOWN

①⑨ L.H. OPPOSITE

S/NO-2-1144

DRAWN	CHECKED	Sr. S.E.	Sdi-	Sdi-
Sdi- JAGDEESH 28.06.06	Sdi- J.V.TELANG 19.07.06	Sdi- B.P.PANDAY 07.08.06	Sdi- A.K.SHARMA 07.08.06	Sdi- S.K.KATIYAR 07.08.06
			A.P.E.	Dy. CME (T)

REF. NO.	DESCRIPTION	MATL.	QTY PER SET	REMARKS
TITLE:- DRILL FIXTURE FOR HOLDING PART WHILE DRILLING BOTTOM OPER.30 PART NO.31AA-71561				
TYPE OF LOCO.		251-B		
USED ON:-		31AA-71561		
REF. NO.		2F-31504,31502 ALCO		
SCALE:-		NTS		
DATE:-		12.02.82		
SHEET NO.	NO. OF SHEET	JIG AND TOOL OFFICE DIESEL LOCO WORKS VARANASI		
03	04			
DRAWN	CHECKED	Sr. S.E.		
Sdi- A.B.SINGH	Sdi- M.L.PURI	Sdi- Z.AHMAD	T.C.GUPTA	
			Sdi- A.P.E.	Sdi- Dy. CME (T)
DRG. NO.		JD(E)-132		