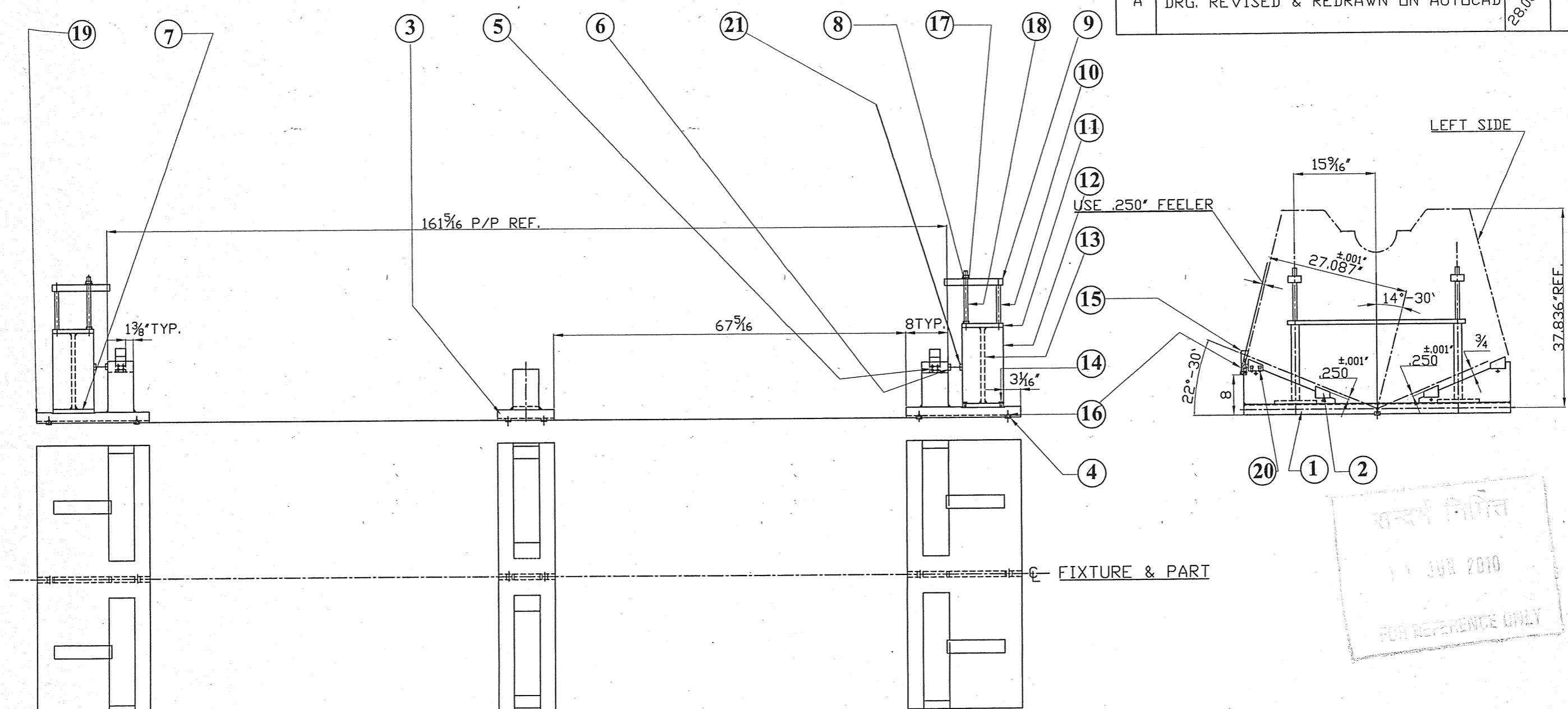


DRG. NO.-JD(E)-132

ALT.	DESCRIPTION	DATE	INITIAL
'A'	DRG. REVISED & REDRAWN ON AUTOCAD	28.06.06	



FIXTURE & PART

FOR REFERENCE ONLY

FIRST ANGLE PROJECTION

DO NOT SCALE THE DRAWING IF IN DOUBT ASK

GRADE NO.	N1	N2	N3	N4	N5	N6	N7	N8	N9	N10	N11	N12
Ra UM	0.025	0.050	0.1	0.2	0.4	0.8	1.6	3.2	6.3	12.5	25	50
SYMBOL	▽▽▽			▽▽			▽		▽		~	

NOTE:-

- ALL DIMENSIONS IN INCHES UNLESS OTHERWISE SPECIFIED.
- BREAK ALL SHARP CORNERS $\frac{1}{64}$.
- STAMP ON DRG. NO. JD(E)-132
COMP. NO.
- TOLERANCE ON DECIMAL DIMENSIONS NOT OTHERWISE SPECIFIED ± 0.002 FRACTIONAL
 ± 0.010 / NOT CUMULATIVE
- WELDMENT TO BE NORMALIZED.

SONA 2-1144
28.06.06

REF. NO.	SHEET NO.	DESCRIPTION	MATL.	QTY PER SET	REMARKS
TITLE:- DRILL FIXTURE FOR HOLDING PART WHILE DRILLING BOTTOM OPER.30 PART NO.31AA-71561					
TYPE OF LOCO.		251-B			
USED ON:-		31AA-71561			
REF. NO.		2F-31504,31502 ALCO			
SCALE:-		NTS			
DATE:-		12.02.82			
SHEET NO.		NO.OF SHEET			
02		04			
DRAWN		CHECKED		Sr. S.E.	
Sd:-		Sd:-		Sd:-	
A.B.SINGH		M.L.PURI		ZAHMAD	
				T.C.GUPTA	
				Sd:-	
				A.P.E.	
				Dy. CME (T)	
DRG. NO.		JD(E)-132			

DRAWN	CHECKED	Sr. S.E.	Sd:-	Sd:-
Sd:- JAGDEESH 28.06.06	Sd:- J.V.TELANG 19.07.06	Sd:- B.P.PANDAY 07.08.06	Sd:- A.K.SHARMA 07.08.06	Sd:- S.K.KATIYAR 07.08.06
			A.P.E.	Dy. CME (T)