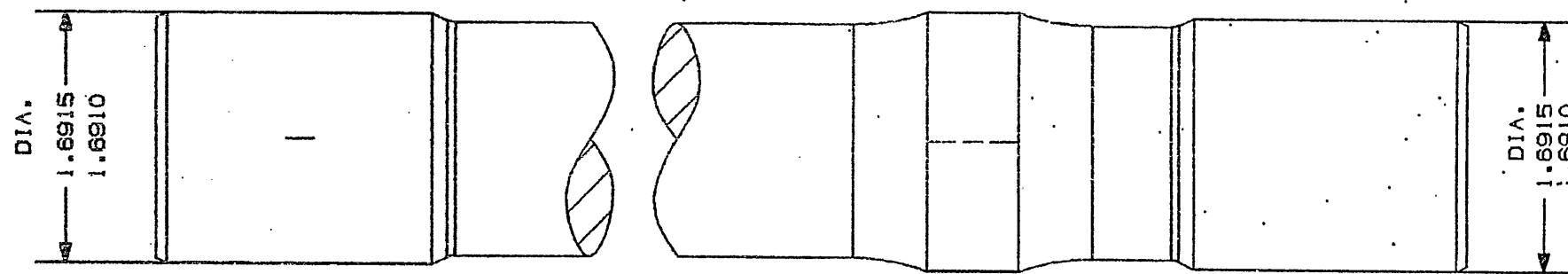
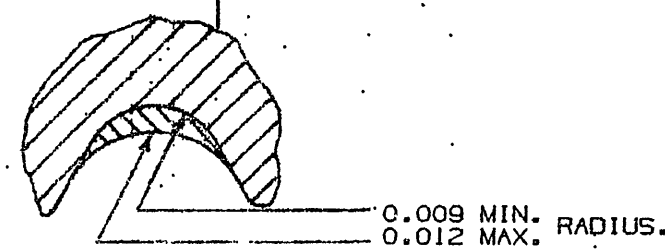
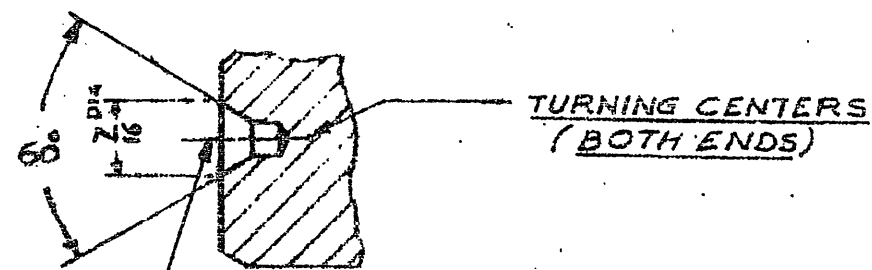
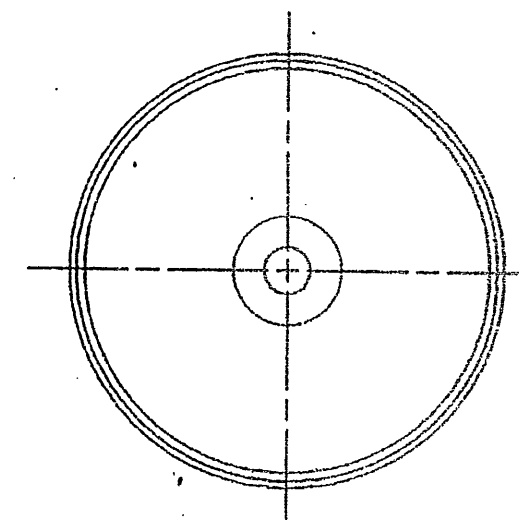
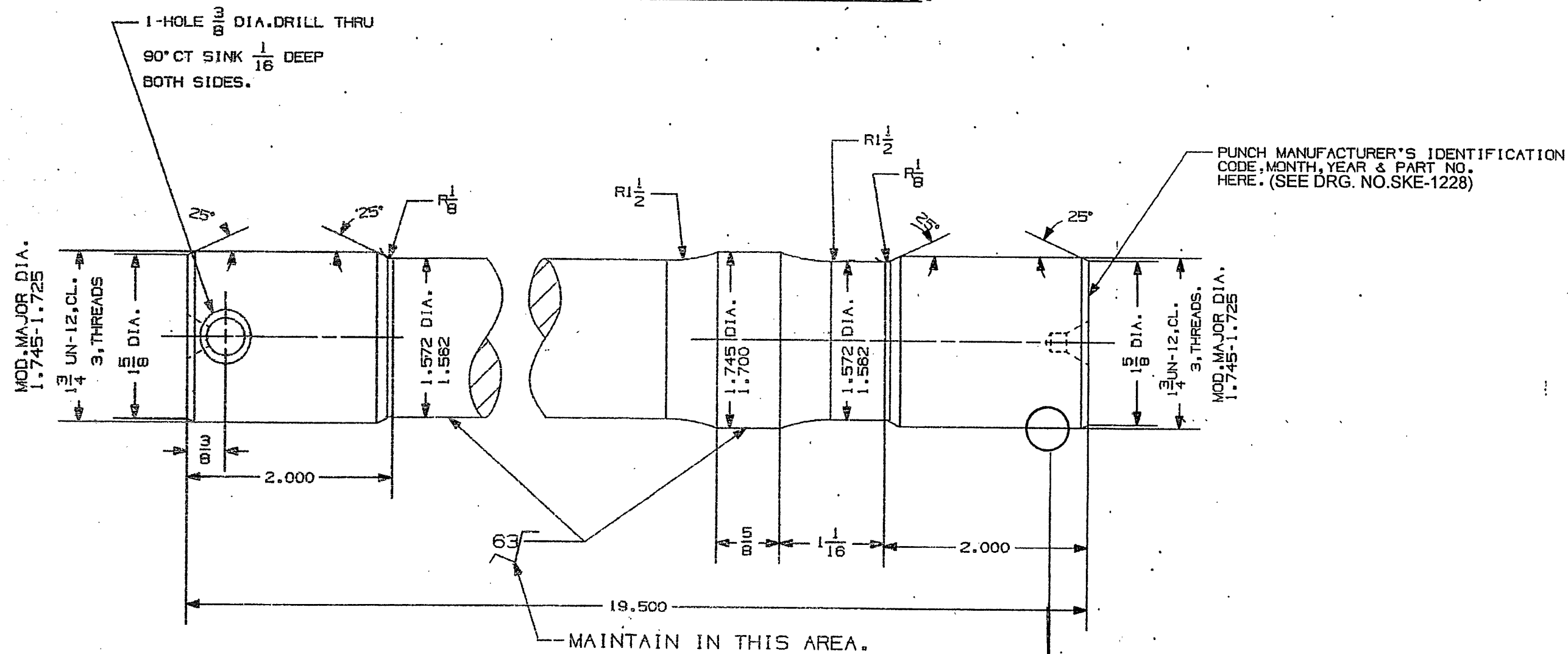


BASED ON DLW PART NO-10217538 'ALT-nil'. and CME's approval dt. 30.09.2015.

ALT. NO.	ALTERATION	CHD. SSED	VALIDATED W/D	DATE



END DIMENSIONS PRIOR TO ROLLING THDS.



- NOTE -  $\frac{200}{\sqrt{\quad}}$
- FINISH ALLOVER EXCEPT WHERE OTHERWISE NOTED.
  - BREAK ALL SHARP EDGES.
  - ROLLED THREADS ONLY.
  - INSP. STD. 31PD5677.
  - THREAD ROLLING TO BE DONE AFTER HEAT TREATMENT
  - INSPECTION SHALL BE DONE AS PER MISC-109.

ALL DIMENSIONS ARE IN INCHES  
UNLESS OTHERWISE NOTED.  
IF TOLERANCES NOT STATED FRACTIONAL  
MACHINING DIMENSIONS ALLOW  $\pm 0.010$ .  
DO NOT SCALE THE PRINT.

NO. OFF	DESCRIPTION	ITEM	PART NO.	MATL & SPECN.
16	ALLOY STEEL D 87018			
		SUPERSEDES	SCALE	VALIDATED
				10/15
16	10010014	LOCO DRG. OFFICE	SUPER CHD	11/10/15
16 CYL. VEE ENGINE	MODIFIED STUD-BOLT			CHD
	MAIN BEARING INTERMEDIATE			DRN.
				DATE
DIESEL LOCO MODERNISATION WORKS PATIALA				ALT. NO.
				2DMW/SK-1435