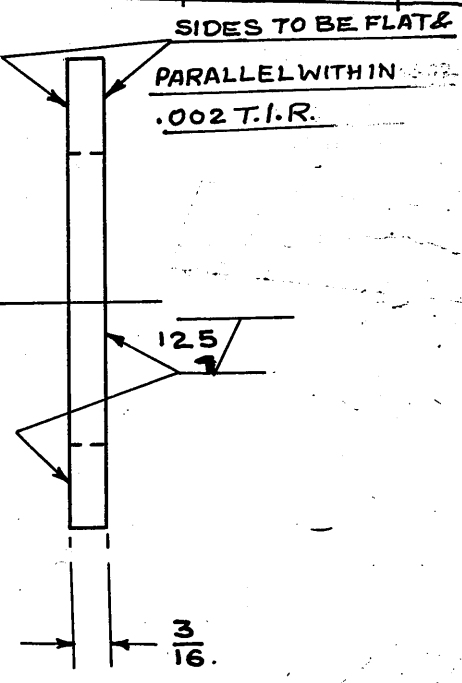
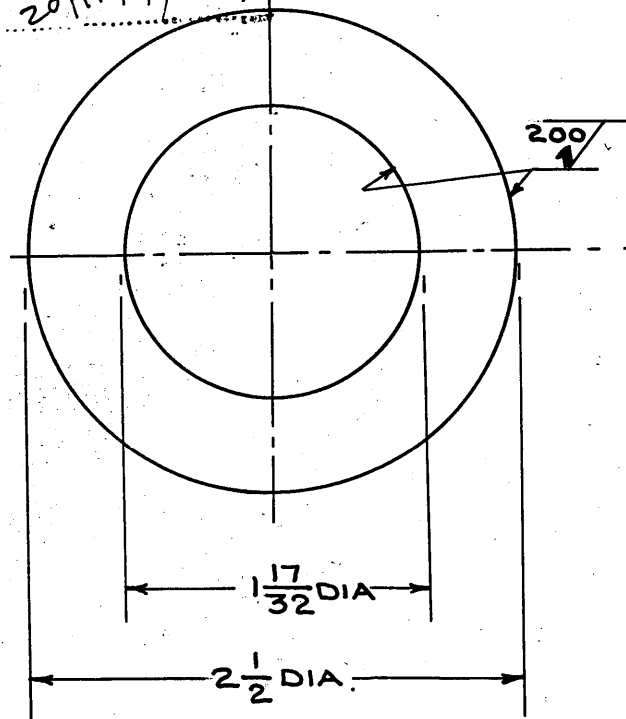


ALT. NO.	ALTERATIONS	SUPERCHG/VALIDATED BY/SS/DR/ANM/LD	DATE
(Z)	NOTE-1 ADDED FOR PACKING	Wm	5/2/04
(Y)	SPEC. IS: 1875 CL IV WAS D81342 (VIDE DLW ALT. b) NOTE 1 FOR PACKING DELETED (VIDE CME'S APPROVAL DT. 7-2-01)	SE/D Wm	19/8/04
(X)	MISC-126 WAS 182 1875 CL IV (VIDE DLW ALT C)	Wm	25/8/04

प्रमाणित
 VALIDATED
 DESIGNER
 क. प्र. (वी)
 WM/PLG
 DATE: 20/11/97



(Z) NOTE:
 1. FOR PACKING CONDITION REFER
 SPEC NO. 4/DCW/LOCO/PKG-011.

HEAT TREATMENT:-
 QUENCH & TEMPER IN OIL TO
 ROCKWELL A 68 TO 75
 SURFACE TREATMENT D99999V2
 BREAK SHARP EDGES.

ALL DIMENSIONS ARE IN INCHES
 IF TOLERANCES NOT STATED
 FRACTIONAL MACHINING.
 DIMENSIONS ALLOW ± 0.010.

No OFF	DESCRIPTION	ITEM	PART No.	MATERIAL	SPEC'N.
				H.R. STEEL	MISC-126
		SUPERSEDES	SCALE	AWM.D	DY.CME.
			12"=1FT.		
				SDO.	19.3.87
				CHKD.	18.3.87
				DRN.	
				TRD.	20-2-87
				ALT	Z Y X
				PART No. 10210799.	

WASHER
 (MAIN BRG. BOLTS)
 CENTER.

DIESEL COMPONENT WORKS
 PATIALA.

16 CYL. VEE ENGINE.