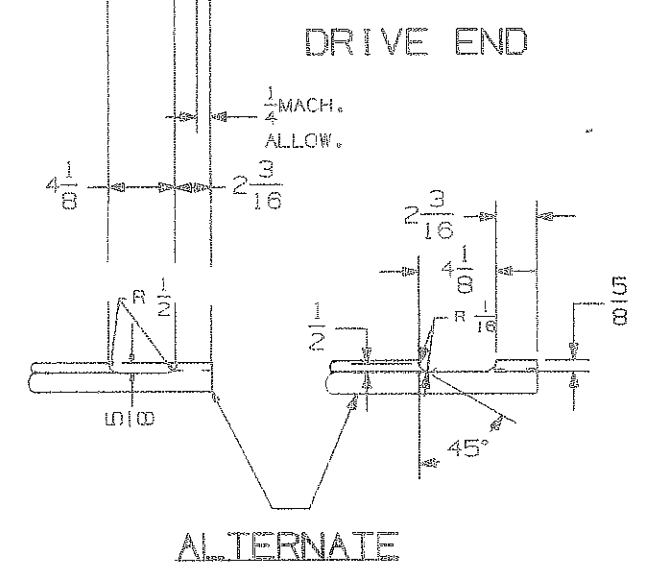
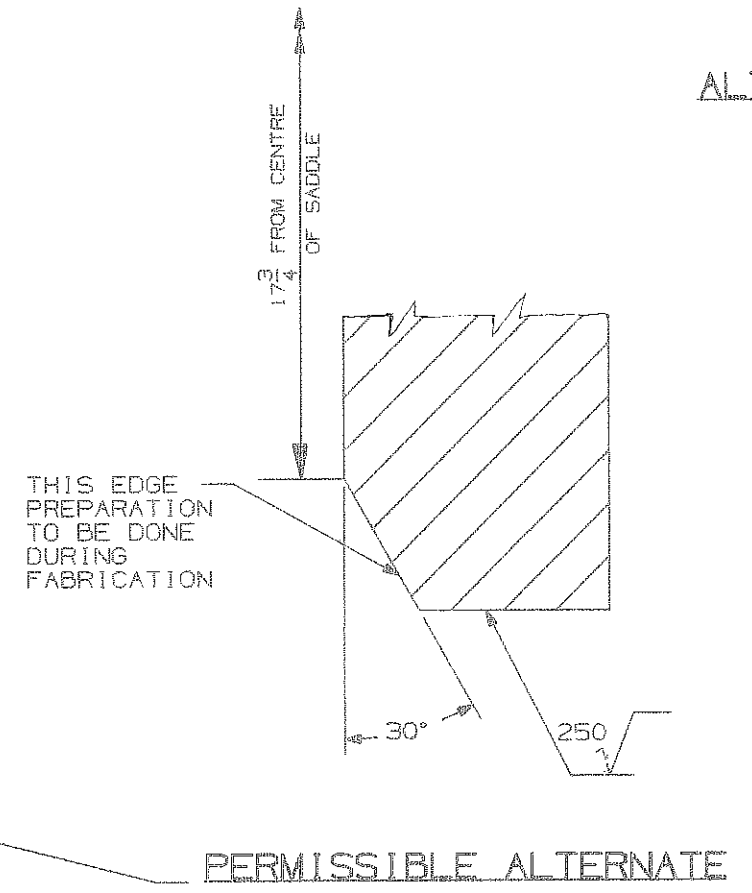
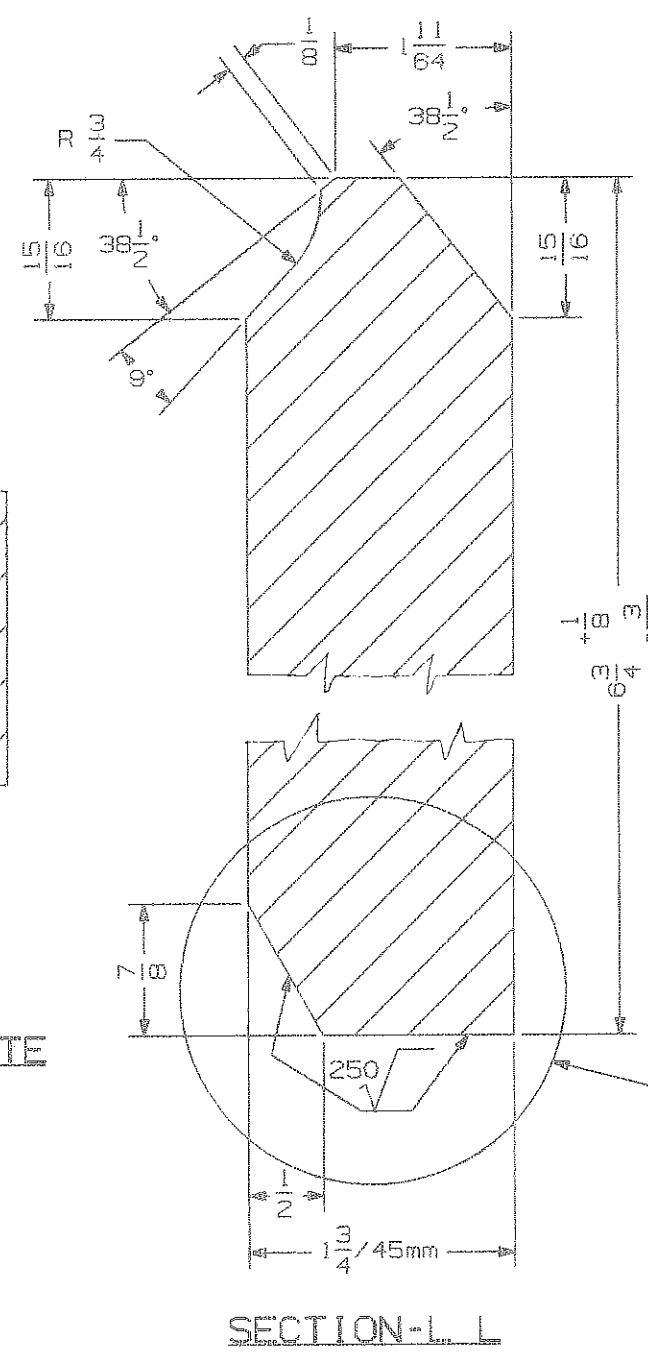
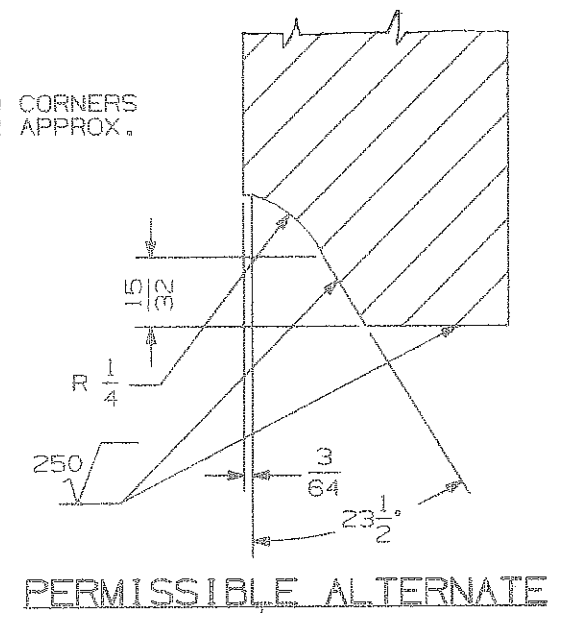
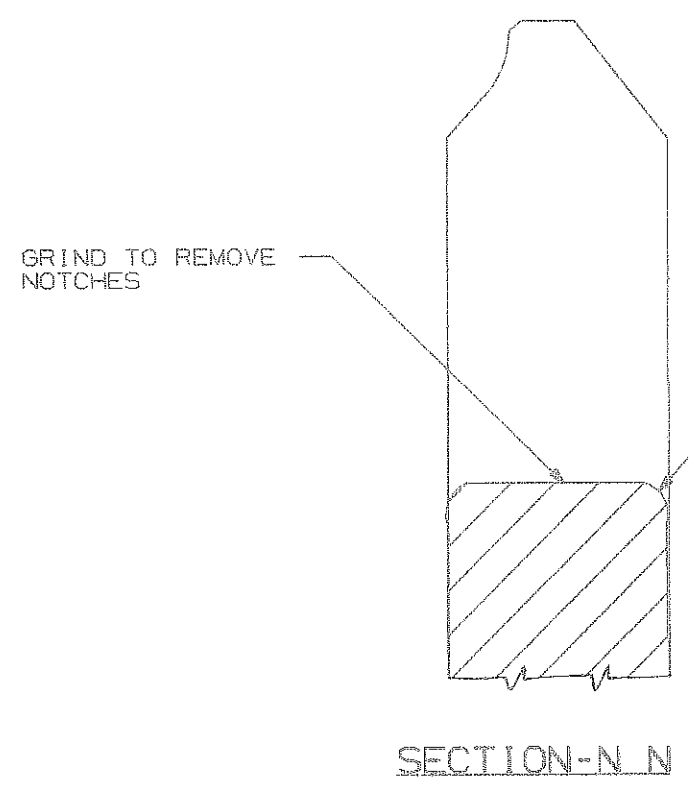
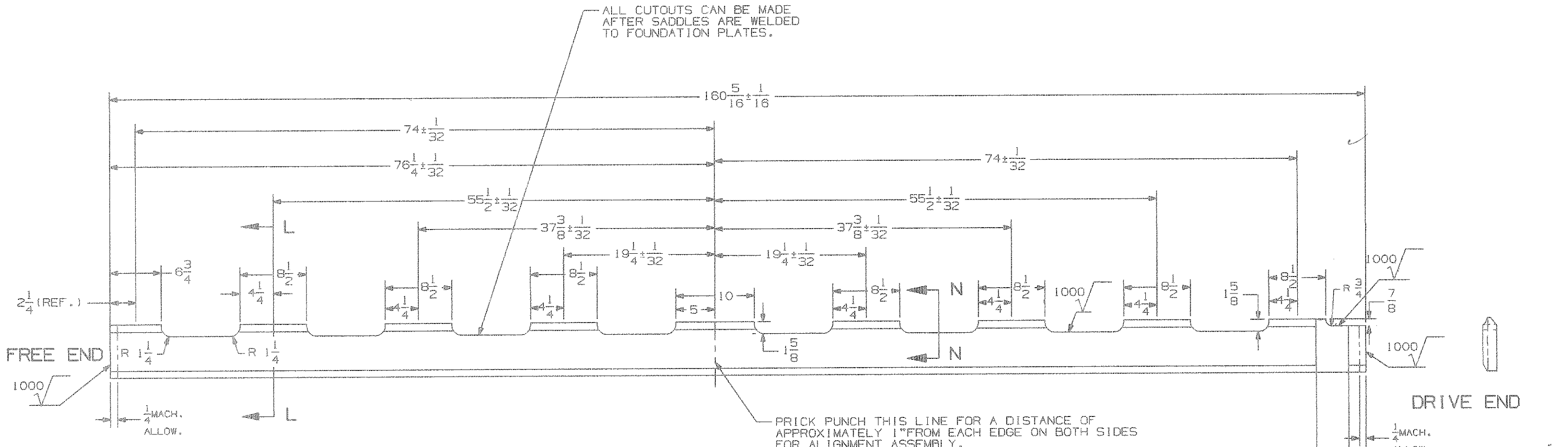


ALT. NO.	ALTERATION	VERIFIED BY SSE/D	INITIAL
(b)	DRAWING REDRAWN.	<i>[Signature]</i>	<i>[Signature]</i>
(c)	MISC-119 WAS IS:20 C2, Gr-C, KILLED. REF: File No. dhw.m. 69-117, dt 23-11-2004.	Ashok 18-07-06	<i>[Signature]</i> 18-07-06



- NOTE: -
1. ALL CUT SURFACE $250\sqrt{\text{ }}$ UNLESS OTHERWISE NOTED.
 2. DIMENSIONS SHOWN DO NOT INCLUDE ALLOWANCES FOR CUTTING OR WELDING SHRINKAGE.
 3. REMOVE ALL BURRS.

ALL DIMS. ARE IN INCHES UNLESS OTHERWISE NOTED.
IF TOLERANCES NOT STATED FRACTIONAL MACHINING DIMENSIONS ALLOW ±0.010.
DO NOT SCALE THE PRINT.
ISSUING AUTHORITY: SSE/RECORDS

THIS DRAWING IS A PROPERTY OF DLS/BOHAN RAILWAYS AND ANY UNAUTHORIZED USE OF THE DRAWING WILL BE CONSIDERED ILLIGAL AND DLS/INDIAN RAILWAYS WILL HAVE RIGHT TO INITIATE LEGAL PROCEEDINGS AGAINST THE DEFALTERS.

APPROVED BY	SSE/D	10020019
		ASSLY. PART NO.

NO. OFF	DESCRIPTION & DIMENSION	ITEM	PART NO.	DRAWING NO.	MATERIAL	SPECIFICATION
	GROUP: WELDED CYL. BLOCK				STEEL PLATE	MISC-119
SUPERSEDED BY				SUPERSEDES ALT 'a'		
FOUNDATION PLATE (L.S.) (WELDED CYL. BLOCK)				SCALE	VERIFIED BY SSE/D	<i>[Signature]</i>
				PROJECTION	CHD.	Ashok
					DRN.	<i>[Signature]</i>
				ALT.	b/c	
				PART NO. 10191653		
				DRG. NO: 31B71413		
				DIESEL LOCOMOTIVE WORKS VARANASI		
				UG-SOLID		