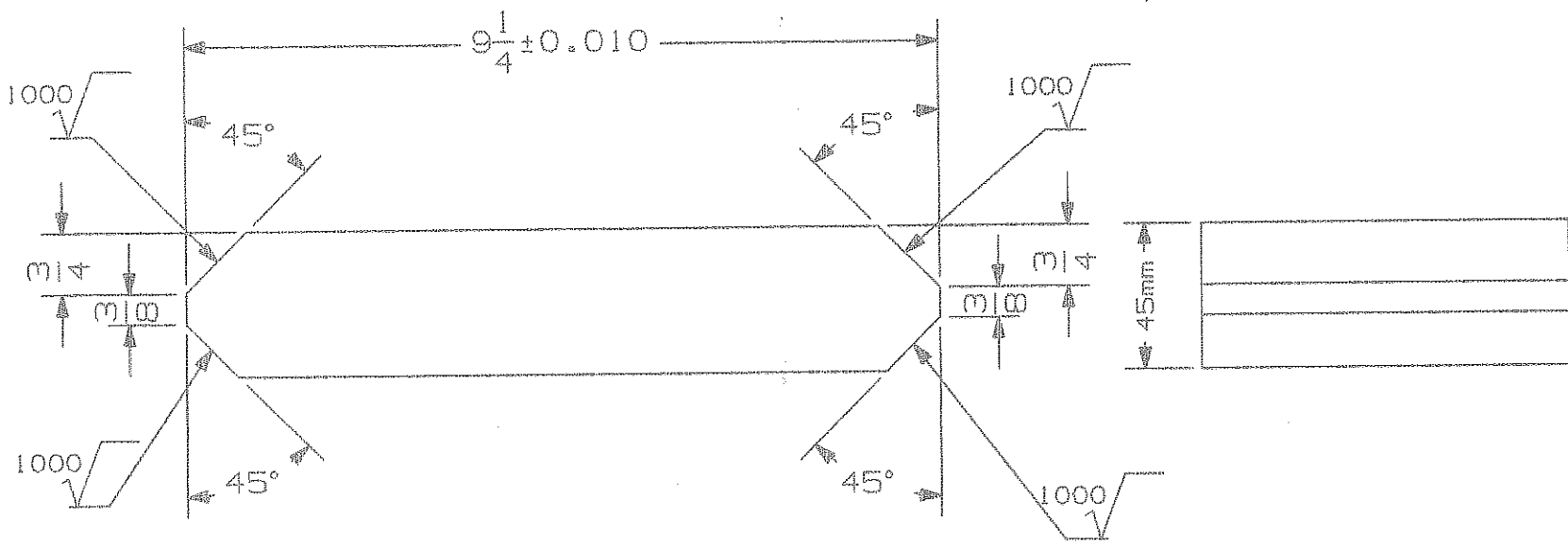
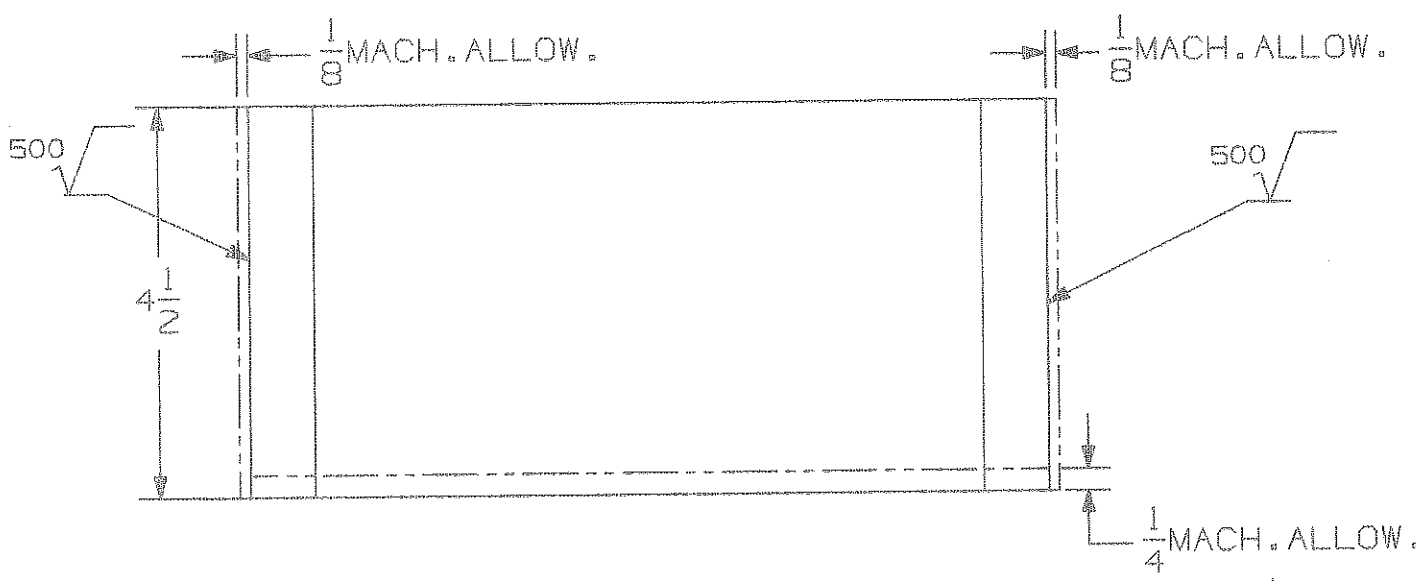


ALT. NO.	ALTERATION	VERIFIED BY S.S.E/E	INITIAL
(c)	DRAWING REDRAWN	<i>W.S.</i> 18.11	<i>W.S.</i> 24/14
(d)	MISC-119 WAS IS: 2062 Gr-B. REF: File No. dlew.m. 65-117, Dt- 23.11.04	Ashok 19.07.06	<i>A</i> 19.07.06



DIMENSIONS SHOWN DO NOT INCLUDE ALLOWANCES FOR CUTTING OR WELDING SHRINKAGE.

ALL DIMS. ARE IN INCHES OTHERWISE NOTED.
IF TOLERANCES NOT STATED FRACTIONAL MACHINING DIMENSIONS ALLOW ± 0.010.
DO NOT SCALE THE PRINT.
ISSUING AUTHORITY : SSE/RECORDS

THIS DRAWING IS A PROPERTY OF DLW/INDIAN RAILWAYS AND ANY UNAUTHORIZED USE OF THE DRAWING WILL BE CONSIDERED ILLEGAL AND DLW/INDIAN RAILWAYS WILL HAVE RIGHT TO INITIATE LEGAL PROCEEDINGS AGAINST THE DEFAULTERS.

<i>A</i> 24/14	SME/D	10021012
D.J.OME/D	SME/D	10020019
APPROVED BY		ASSLY. PART NO.

NO. OFF	DESCRIPTION & DIMENSION	ITEM	PART NO.	DRG. NO.	MATERIAL	SPECIFICATION
	GROUP : WELDED CYLINDER BLOCK					
	SUPERSEDED BY					
	SUPERSEDES: ALT. 'b'					
	<p style="text-align: center;">LIFTER BLOCK</p> <p style="text-align: center;">(GEN. END)</p>		SCALE		VERIFIED BY S.S.E/E	<i>W.S.</i> 18.11
PROJECTION			CHD.	DRN.	<i>A</i> 18.04.01	<i>A</i> 17.04.01
ALT.		cd				
				PART NO. 10191630		
				DRG. NO: 31C71301-1		

DLW DIESEL LOCOMOTIVE WORKS
VARANASI

UG-SOLID