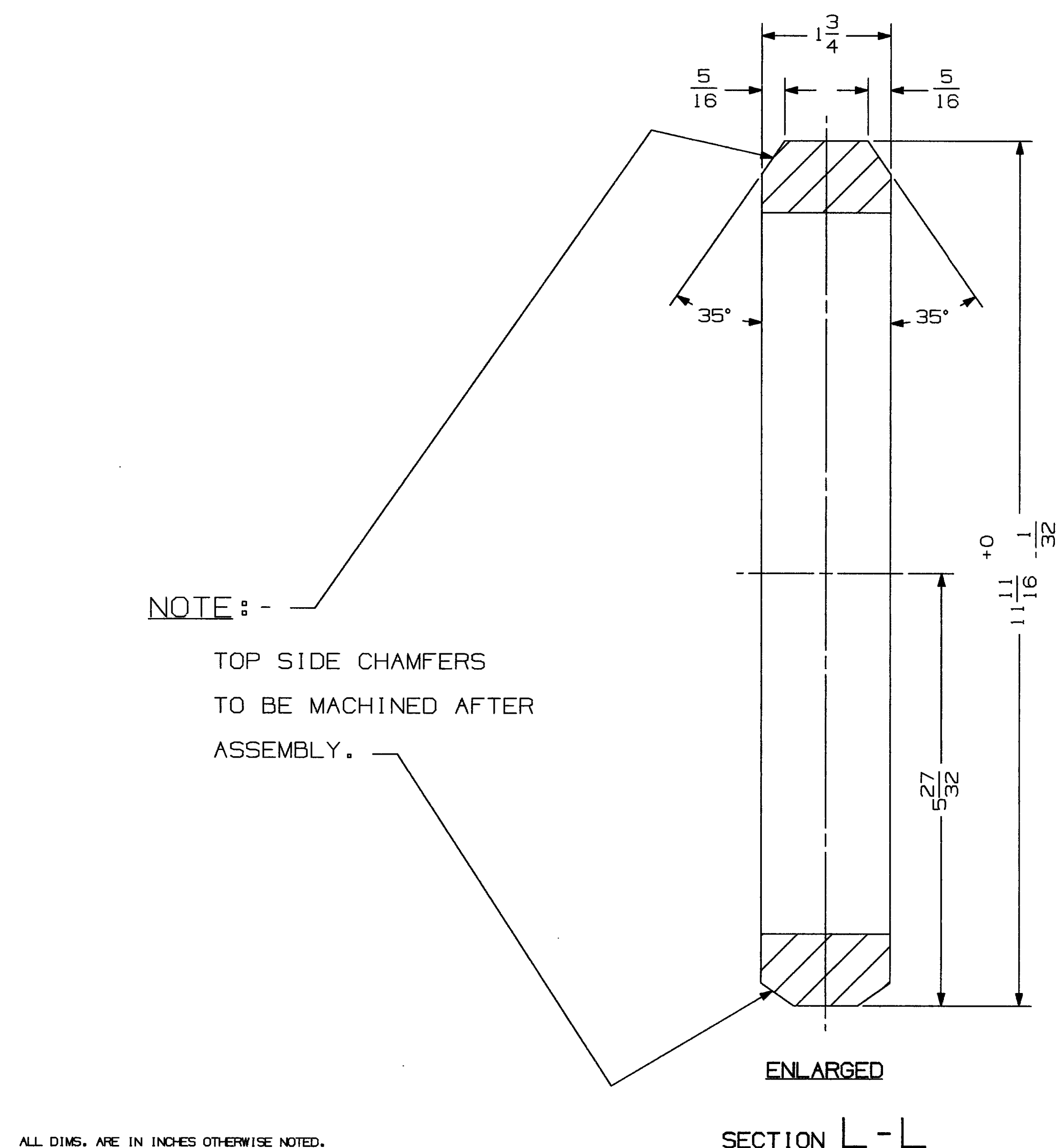
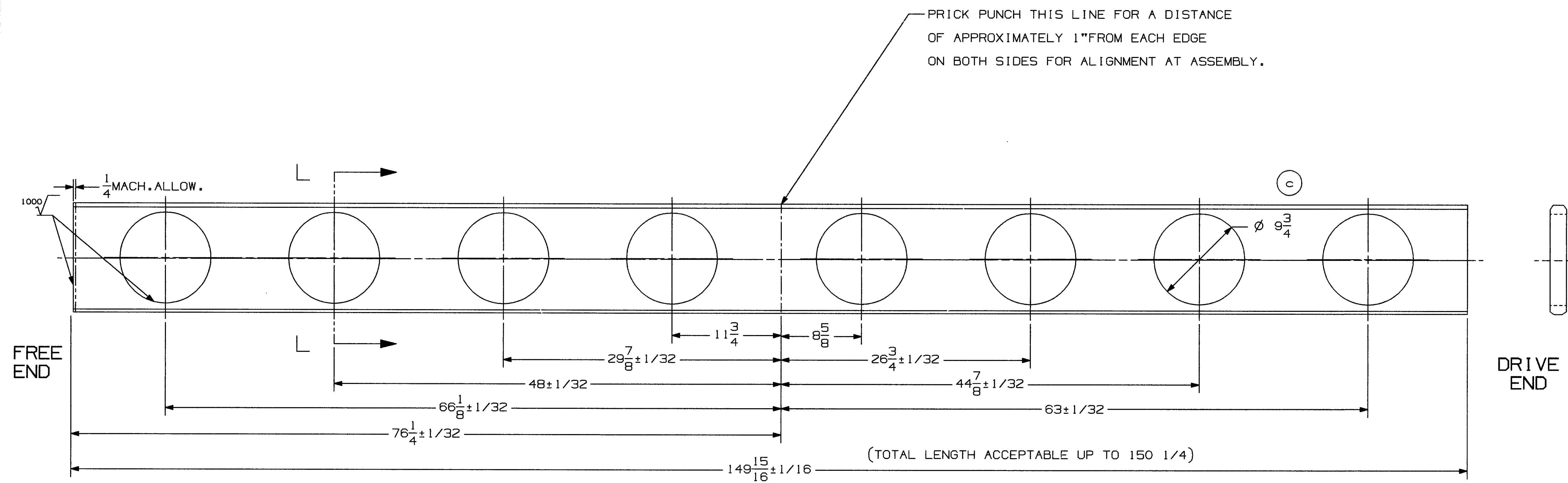


ALT. NO.	ALTERATION	VERIFIED BY SSE/D	INITIAL
(b)	DRAWING REDRAWN	SD 18.04.01	SD 24.04.01
(c)	DIM .92 ADDED (CORRECTION).	SD 30.09.03	SD 30.09.03
(d)	DRAWING REDRAWN	ASW 23.04.03	ASW 23.04.03
(e)	MISC-119 WAS IS:2062 Gr. B. REF: File No. dlm.m. 65-117, Dt-23.11.04.	AKK 18.07.06	AKK 18.07.06



NOTE: -

1. $\sqrt{250}$ ALL CUT SURFACES UNLESS OTHERWISE NOTED.
2. DIMENSIONS SHOWN DO NOT INCLUDE ALLOWANCES FOR CUTTING OR WELDING SHRINKAGE

ALL DIMS. ARE IN INCHES OTHERWISE NOTED.
IF TOLERANCES NOT STATED FRACTIONAL MACHINING DIMENSIONS ALLOW ± 0.010 .
DO NOT SCALE THE PRINT.
ISSUING AUTHORITY: SSE/RECORDS

THIS DRAWING IS A PROPERTY OF IRI/INDIAN RAILWAYS AND ANY UNAUTHORIZED USE OF THE DRAWING WILL BE CONSIDERED ILLIGAL AND IRI/INDIAN RAILWAYS WILL HAVE RIGHT TO INITIATE LEGAL PROCEEDINGS AGAINST THE DEFAULTERS.

APPROVED BY	10020019
ASSEMBLY PART NO.	

NO. OFF	1	DESCRIPTION & DIMENSION	ITEM	PART NO.	DRAWING No.	MATERIAL	SPECIFICATION
GROUP: WELDED CYLINDER BLOCK					SUPERSEDED BY		
MIDDLE DECK (R.S.) WELDED CYL. BLOCK					SUPERSEDES: ALT. 'c'		
SCALE		VERIFIED BY SSE/D		ASW 23.09.03			
PROJECTION		CHD.		ASW 23.09.03			
ALT. d e		PART NO.		10191604			
DIESEL LOCOMOTIVE WORKS VARANASI		DRG. NO:		31B71409			