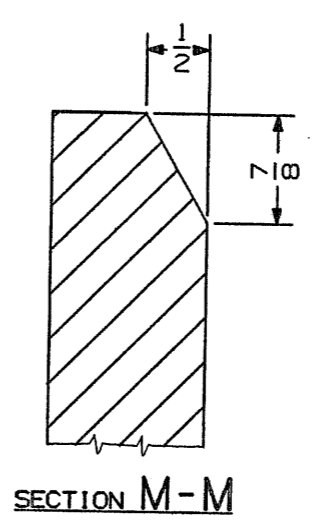
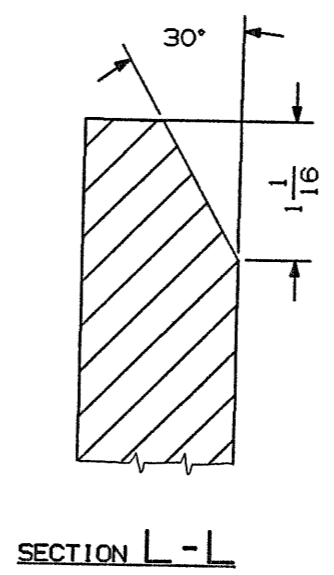
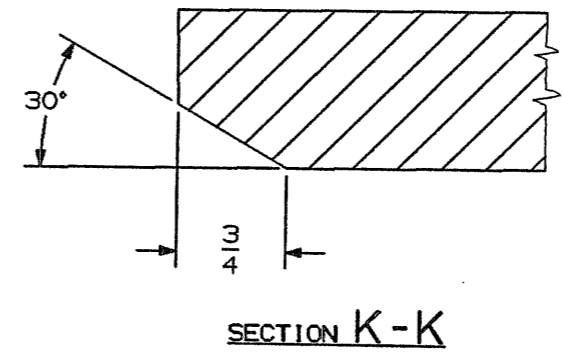
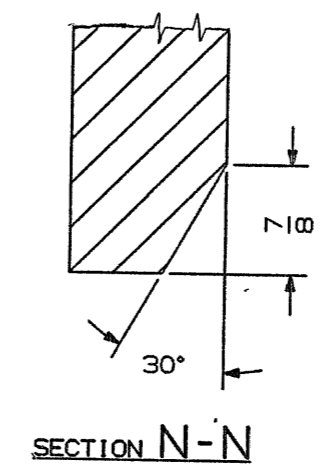
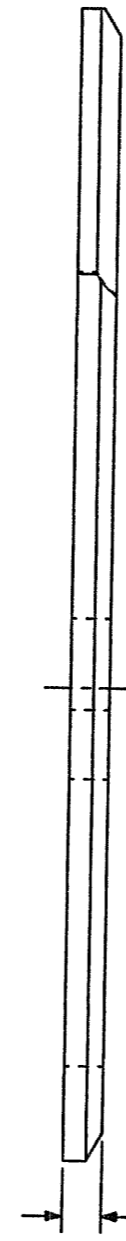
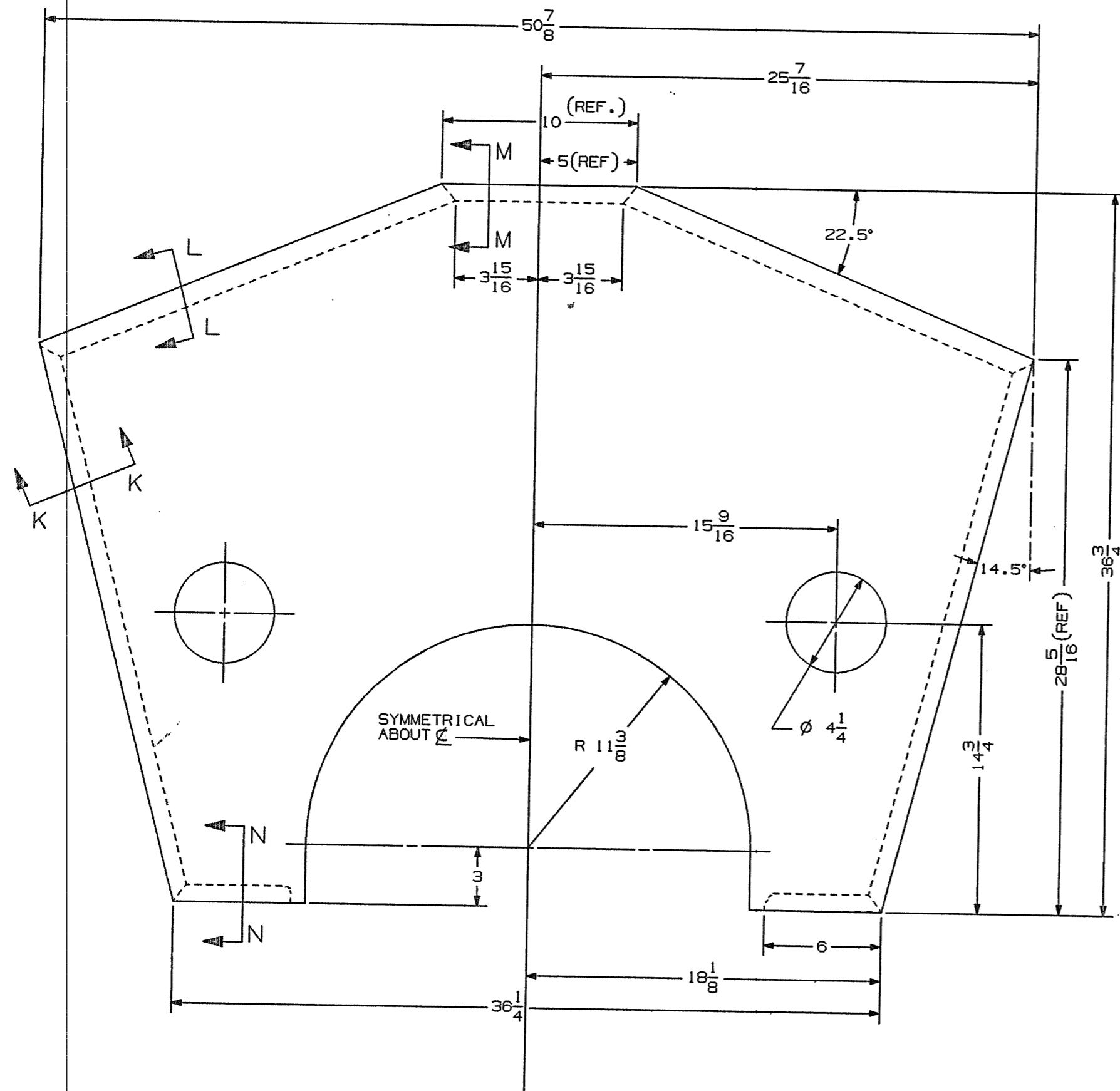


ALT. NO.	ALTERATION	VERIFIED BY SSE/D	INITIAL
(f)	DRAWING REDRAWN	M. S. S. S.	M. S. S. S.



NOTE :-
 1. $\sqrt[1000]{}$ ALL CUT SURFACES UNLESS OTHERWISE NOTED.
 2. REMOVE ALL BURRS.
 3. DIMENSIONS SHOWN DO NOT INCLUDE ALLOWANCES FOR CUTTING OR WELDING SHRINKAGE.

ALL DIMS. ARE IN INCHES OTHERWISE NOTED.
 IF TOLERANCES NOT STATED FRACTIONAL MACHINING DIMENSIONS ALLOW ± 0.010 .
 DO NOT SCALE THE PRINT.
 ISSUING AUTHORITY : SSE/RECORDS

THIS DRAWING IS A PROPERTY OF DLW/INDIAN RAILWAYS AND ANY UNAUTHORIZED USE OF THE DRAWING WILL BE CONSIDERED ILLEGAL AND DLW/INDIAN RAILWAYS WILL HAVE RIGHT TO INITIATE LEGAL PROCEEDINGS AGAINST THE DEFAULTERS.

APPROVED BY	SME/D	10021012
		10020019
		ASSLY. PART NO.

NO. OFF	DESCRIPTION & DIMENSION	ITEM	PART NO.	DRAWING No.	MATERIAL	SPECIFICATION
1	GROUP # WELDED CYLINDER BLOCK				STEEL PL. IS:2062 Gr.-C KILLED	
SUPERSEDED BY				SUPERSEDES: ALT. 'e'		
GENERATOR END PLATE				SCALE	VERIFIED BY SSE/D	M. S. S. S.
WELDED CYL. BLOCK				PROJECTION	CHD.	AS PER 10/10/10
				ALT. (f)	DRN.	M. S. S. S.
DIESEL LOCOMOTIVE WORKS VARANASI				PART NO. 10191458		
				DRG. NO: 31B71403		
UG-SOLID ID						