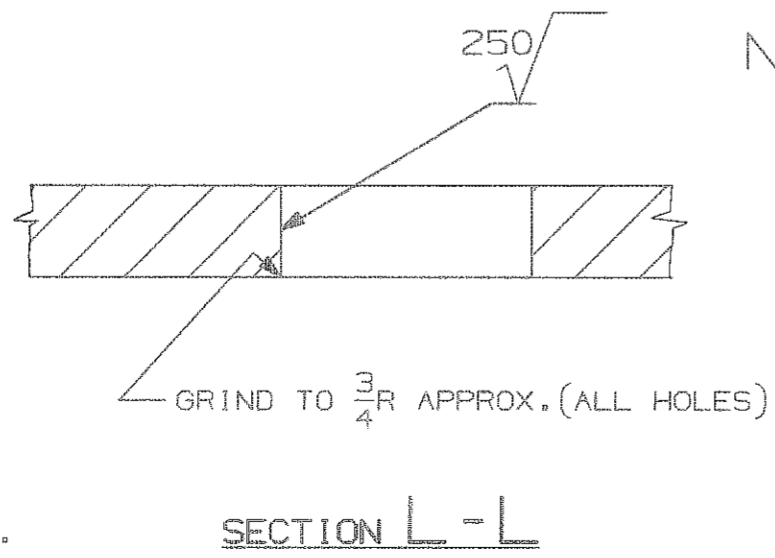
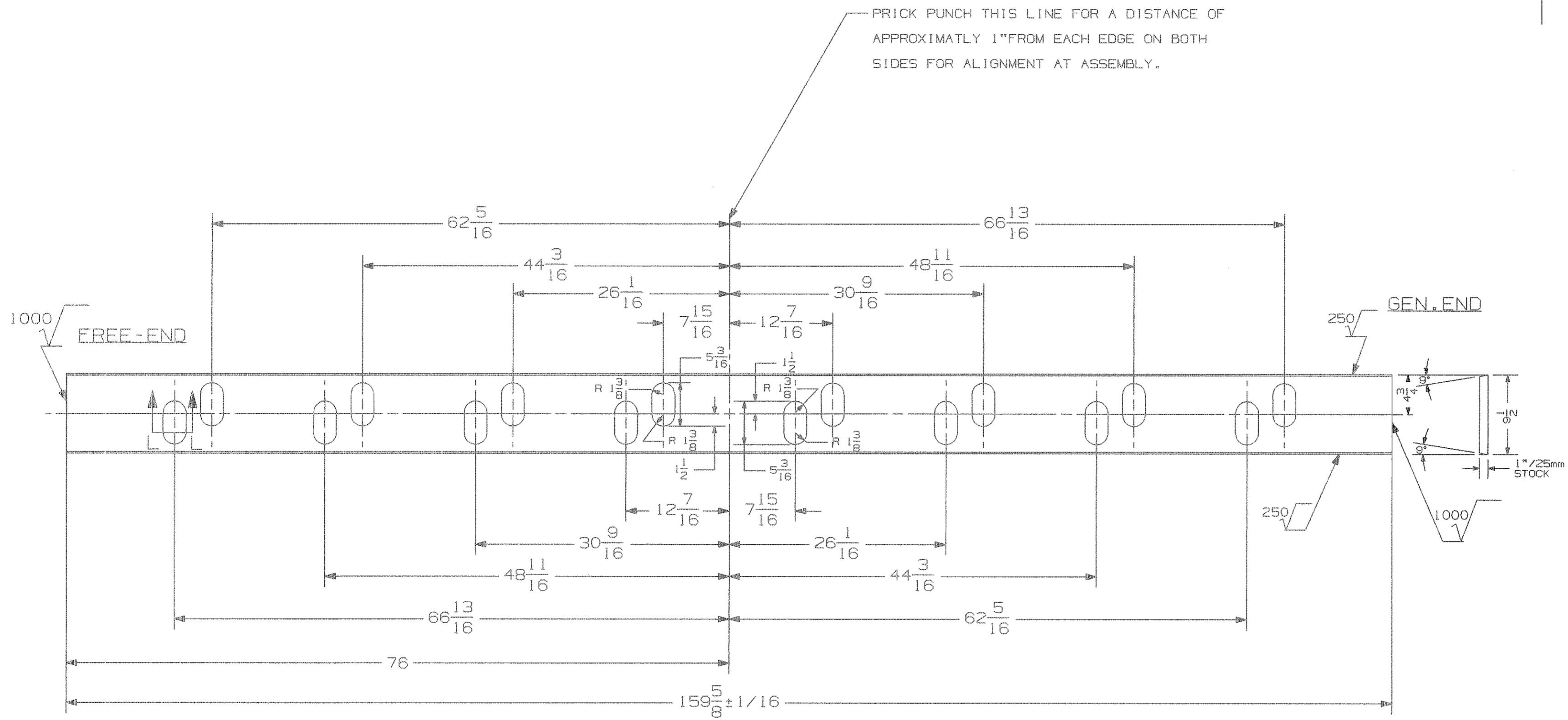


| ALT. NO. | ALTERATION | VERIFIED BY S.S./E/E | INITIAL |
|----------|--|----------------------|--------------------|
| (C) | DRAWING REDRAWN | <i>[Signature]</i> | <i>[Signature]</i> |
| (d) | MISC-119 WAS IS: 2062 Gr. B REF: File No. d.l.w. m. 65-117, dt 23.11.04. | <i>[Signature]</i> | <i>[Signature]</i> |



NOTE :-

1. DIMENSIONS SHOWN DO NOT INCLUDE ALLOWANCE FOR CUTTING OR WELDING SHRINKAGE.
2. REMOVE ALL BURRS.

ALL DIMS. ARE IN INCHES UNLESS OTHERWISE NOTED.
IF TOLERANCES NOT STATED FRACTIONAL.
MACHINING DIMENSIONS ALLOW ± 0.010.
DO NOT SCALE THE PRINT.
ISSUING AUTHORITY : SSE/RECORDS

THIS DRAWING IS A PROPERTY OF DLW/INDIAN RAILWAYS AND ANY UNAUTHORIZED USE OF THE DRAWING WILL BE CONSIDERED ILLIGAL AND DLW/INDIAN RAILWAYS WILL HAVE RIGHT TO INITIATE LEGAL PROCEEDINGS AGAINST THE DEFAULTERS.

| | | |
|--------------------|-------|-----------------|
| <i>[Signature]</i> | SME/D | 10020019 |
| D.G. OME/D | SME/D | 10020019 |
| APPROVED BY | | ASSLY. PART NO. |

| NO. OFF | DESCRIPTION & DIMENSION | ITEM | PART NO. | DRAWING No. | MATERIAL | SPECIFICATION |
|---|-------------------------------|------|-------------------|----------------------|----------------------|--------------------|
| | GROUP : WELDED CYLINDER BLOCK | | | | STL. PLATE | MISC-119 |
| TOP DECK (CENTRE) WELDED CYL. BLOCK | | | | SUPERSEDED BY | | |
| | | | | SUPERSEDES: ALT. 'b' | | |
| DLW DIESEL LOCOMOTIVE WORKS VARANASI | | | | SCALE | VERIFIED BY S.S./E/E | <i>[Signature]</i> |
| | | | | PROJECTION | CHD. | <i>[Signature]</i> |
| 16 CYL. VEE ENGINE | | | | ALT. | C d | |
| | | | | PART NO. 10191318 | | |
| | | | DRG. NO: 31C71442 | | | |