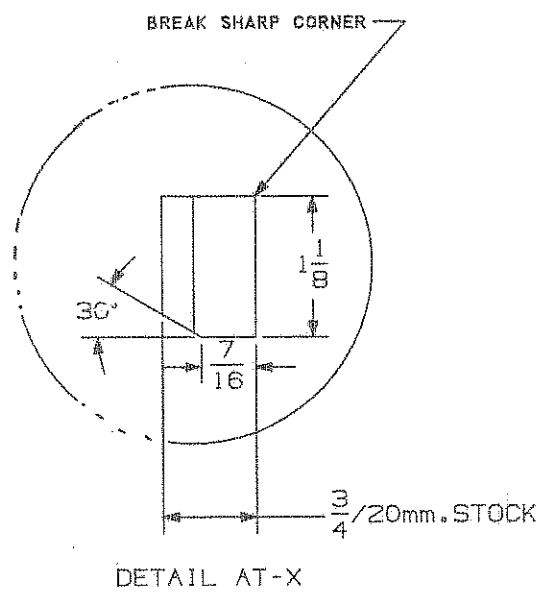
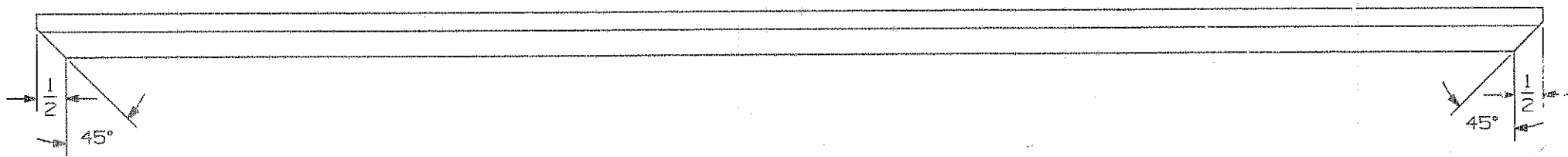
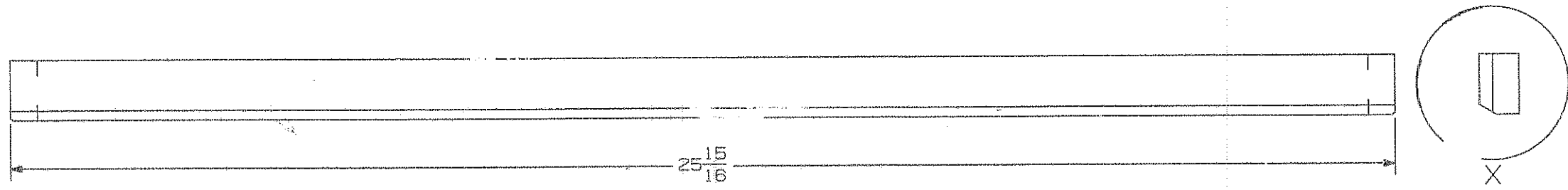


ALT. NO.	ALTERATION	VERIFIED BY S.S.E/E	APPROVED BY
(C)	DRAWING REDRAWN	<i>[Signature]</i>	<i>[Signature]</i>
(d)	MISC-119 WAS IS: 2862. REF: File No. d.l.w.m:65. 117, dt-23.11.04.	<i>[Signature]</i> 19.07.06	<i>[Signature]</i> 19.07.06



**NOTE:-**

1.  $\sqrt{1000}$  ALL CUT SURFACES.
2. DIMENSIONS SHOWN DO NOT INCLUDE ALLOWANCE FOR CUTTING OR WELDING SHRINKAGE.

ALL DIMS. ARE IN INCHES OTHERWISE NOTED.  
IF TOLERANCES NOT STATED FRACTIONAL  
MACHINING DIMENSIONS ALLOW  $\pm 0.010$ .  
DO NOT SCALE THE PRINT.  
ISSUING AUTHORITY : SSE/RECORDS

THIS DRAWING IS A PROPERTY OF DLW/INDIAN RAILWAYS AND ANY UNAUTHORISED USE OF THE DRAWING WILL BE CONSIDERED ILLIGAL AND DLW/INDIAN RAILWAYS WILL HAVE RIGHT TO INITIATE LEGAL PROCEEDINGS AGAINST THE DEFAMTERS.

<i>[Signature]</i>		10021050, 10021048
D.L./CME/D	SWE/D	10020044, 10020032
APPROVED BY		ASSLY. PART NO.

NO. OFF	DESCRIPTION & DIMENSION	ITEM	PART NO.	DRAWING No.	MATERIAL	SPECIFICATION
2 2	GROUP: WELDED CYLINDER BLOCK				STL. PLATE	MISC-119
						SUPERSEDED BY
						SUPERSEDES: ALT. 'b'
						SCALE
						VERIFIED BY S.S.E/E
						CHD.
						DRN.
						PROJECTION
						ALT. C d
						PART NO. 10191203
						DRG. NO: 31D71286-1

**DIESEL LOCOMOTIVE WORKS**  
**VARANASI**

UG SOLID