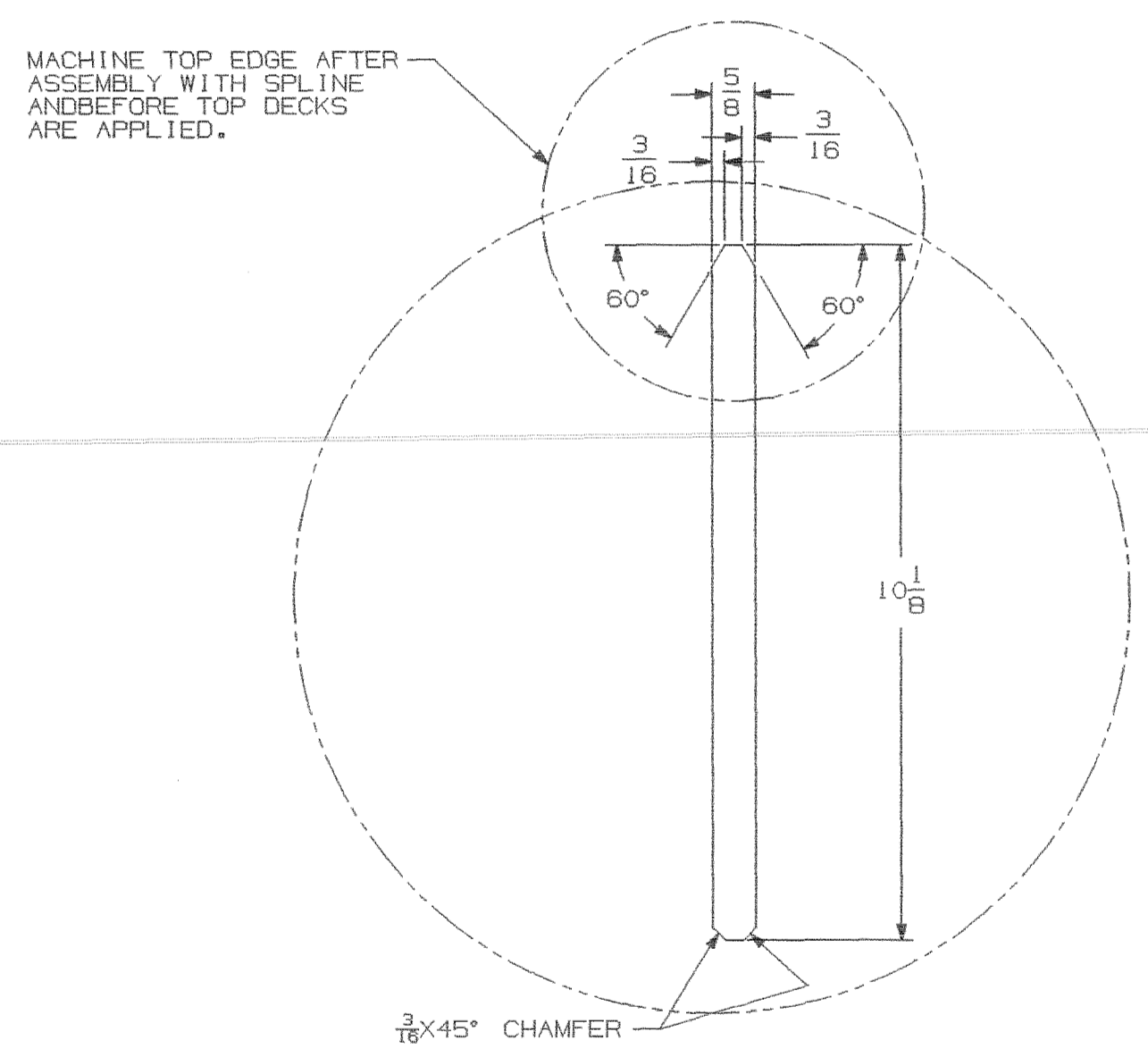
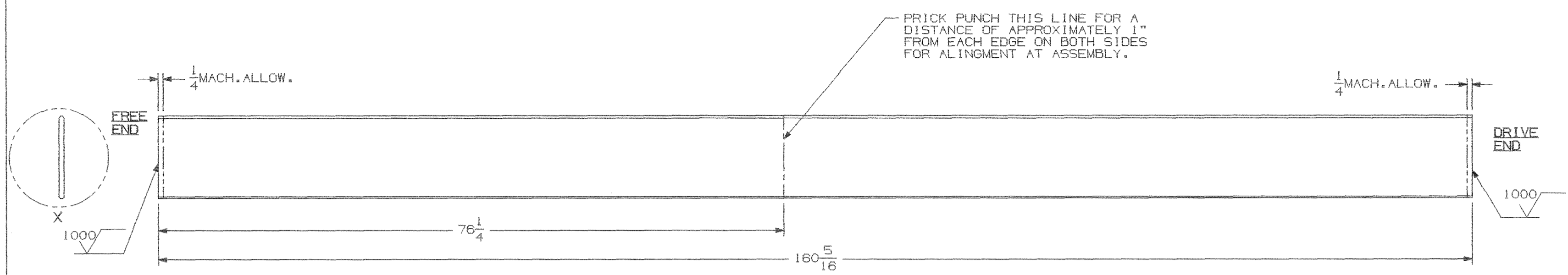
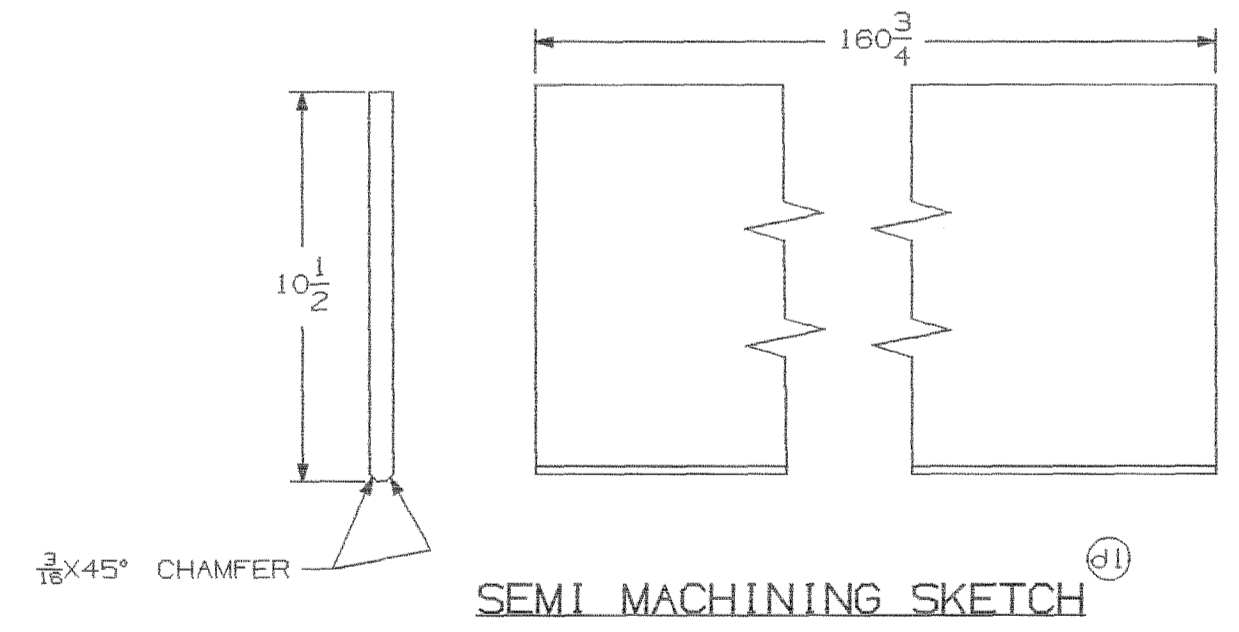


ALT. NO.	ALTERATION	APPROVED BY SSE/ENG	INITIAL
b	DRAWING REDRAWN.	SD/- 01.03.01	SD/- 01.03.01
c	MISC-119 WAS IS:2062 Gr.B REF:FILE NO.dlw.m.85.117, Dt-23.11.2004	SD/- 18.07.06	SD/- 18.07.06
d	1.SEMI-MACHINING SKETCH ADDED. 2.NOTE NO. 3 ADDED.	<i>Newman</i> 01.03.07	<i>Newman</i> 13.07



DETAIL AT- X



SEMI MACHINING SKETCH

- NOTE:-
- 500 ALL CUT SURFACES UNLESS OTHERWISE NOTED.
 - DIMENSION SHOWN DO NOT INCLUDE ALLOWANCES FOR CUTTING OR WELDING SHRINKAGE.
 - VENDER'S ARE REQUIRED TO SUPPLY THE CYL SIDE WALL (INSIDE) AS PER SEMI MACHINING SKETCH.

ALL DIMENSIONS ARE IN INCHES
UNLESS OTHERWISE NOTED.
IF TOLERANCES NOT STATED FRACTIONAL
MACHINING DIMENSION ALLOW ±0.010
DO NOT SCALE PRINT.
ISSUING AUTHORITY : 500/RECORDS

THIS DRAWING IS A PROPERTY OF DLW/INDIAN RAILWAYS AND ANY UNAUTHORISED USE OF THE DRAWING WILL BE CONSIDERED ILLIGAL AND DLW/INDIAN RAILWAYS WILL HAVE RIGHT TO INITIATE LEGAL PROCEEDINGS AGAINST THE DEFAULTERS.

Dy. CDE/ENG.	<i>Newman</i> 13.07.07	SDE/ENG.	
APPROVED BY		10020019 ASSLY. PART NO.	

2				STL.PL.	MISC-119
NO.OFF	DESCRIPTION & DIMENSION	ITEM	PART NO.	DRG.NO.	MATERIAL SPECIFICATION
GROUP :				SUPERSEDED BY	
16 CYL. VEE ENGINE				SUPERSEDES:ALT. 'c'	
CYL. SIDE WALL (IN SIDE) WELDED CYL BLOCK				SCALE	VERIFIED BY S.S.E/E <i>Newman</i> 01.03.07
				PROJECTION	CHD. <i>Newman</i> 23.01.07 DRN. <i>Newman</i> 28.02.07
ALT.	b	c	d	PART NO. 10190971	
				DRG. NO: 31C71404-1	
DIESEL LOCOMOTIVE WORKS VARANASI				NX-TEAMCENTER	