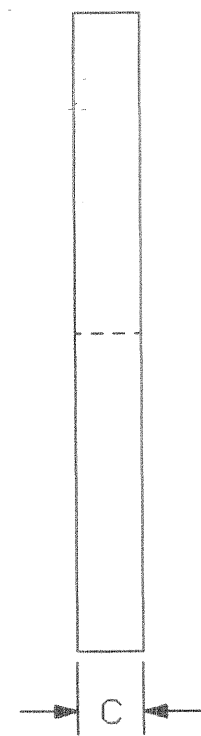
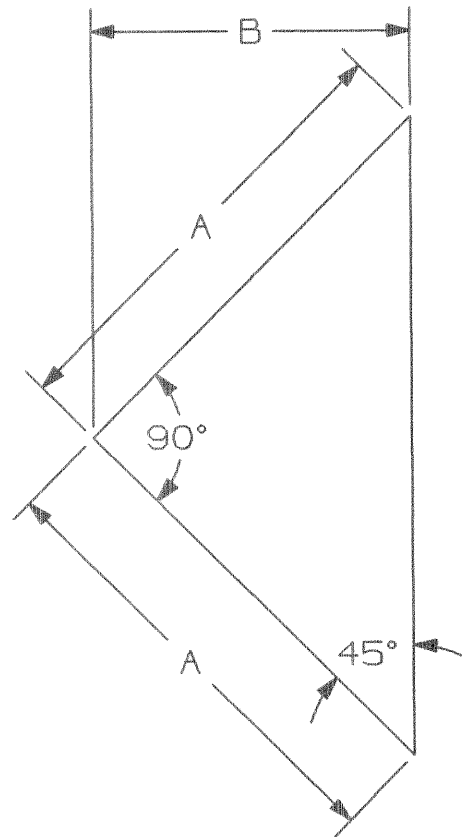


SIZE	A	B	C	ALT. NO.	ALTERATION	VERIFIED BY S.S./E/E	APPROVED BY
FOR 1 1/4x1 1/4 ANGLE	1 15/64	7/8	.180" (76A)	a	DRAWING REDRAWN	[Signature]	[Signature]
FOR 35mmx35mm ANGLE	32.5mm	23mm	5mm				
FOR 30mmx30mm ANGLE	28mm	20mm	5mm				



NOTE :-
 1. $1000\sqrt{\quad}$ ALL CUT SURFACE.

ALL DIMS. ARE IN INCHES OTHERWISE NOTED.
 IF TOLERANCES NOT STATED FRACTIONAL MACHINING DIMENSIONS ALLOW ± 0.010 .
 DO NOT SCALE THE PRINT.
 ISSUING AUTHORITY : SSE/RECORDS

THIS DRAWING IS A PROPERTY OF DELHI METRO RAILWAYS AND ANY UNAUTHORIZED USE OF THE DRAWING WILL BE CONSIDERED ILLEGAL AND DELHI METRO RAILWAYS WILL HAVE RIGHT TO INITIATE LEGAL PROCEEDINGS AGAINST THE DEFAULTERS.

[Signature]	[Signature]	10021048, 10021050
Dy. CME/D	SME/D	10020032, 10020044
APPROVED BY		ASSLY. PART NO.

NO. OF	DESCRIPTION & DIMENSION	ITEM	PART NO.	REF. DRG. NO.	MATERIAL	SPECIFICATION
	GROUP : ENGINE			31D71555-1	STL. STR.	IS:2062 Gr. B
12 CYL. VEE ENGINE 16 CYL. VEE ENGINE				SUPERSEDED BY		
				SUPERSEDES: ALT. YD		
END SEAL (FUEL OIL DRAIN TROUGH)				SCALE	VERIFIED BY S.S./E/E	[Signature]
				PROJECTION	CHD.	[Signature]
				DRN.	[Signature]	[Signature]
				ALT.	a	
DIESEL LOCOMOTIVE WORKS VARANASI				PART NO. 10190120		
				DRG. NO: 31D71555		