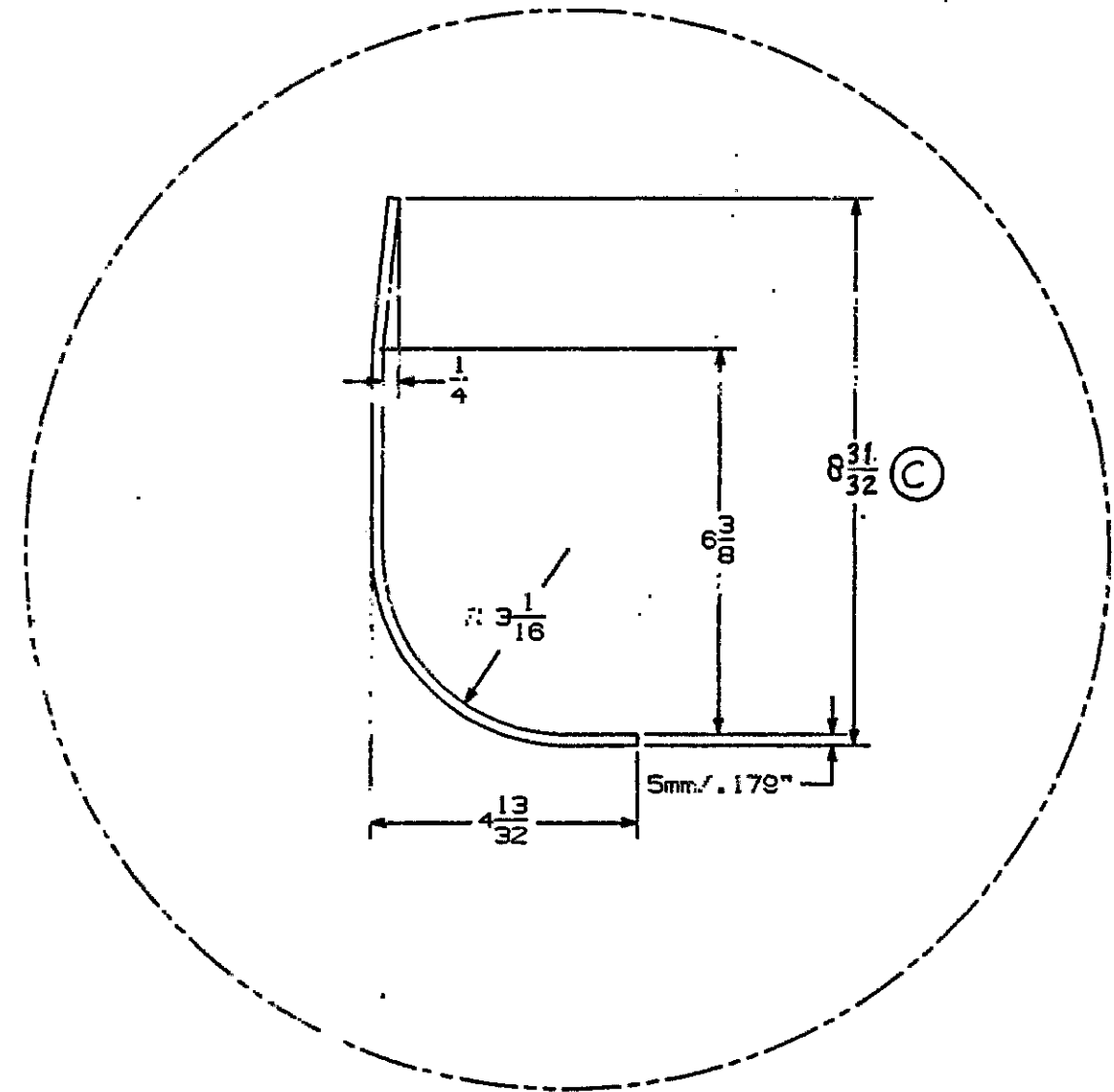
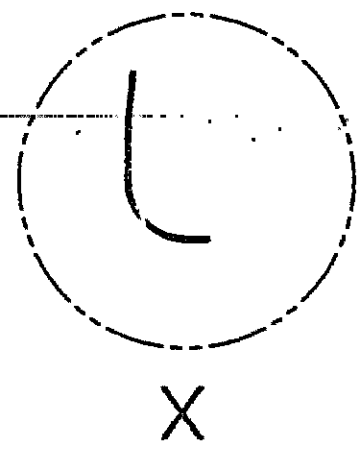
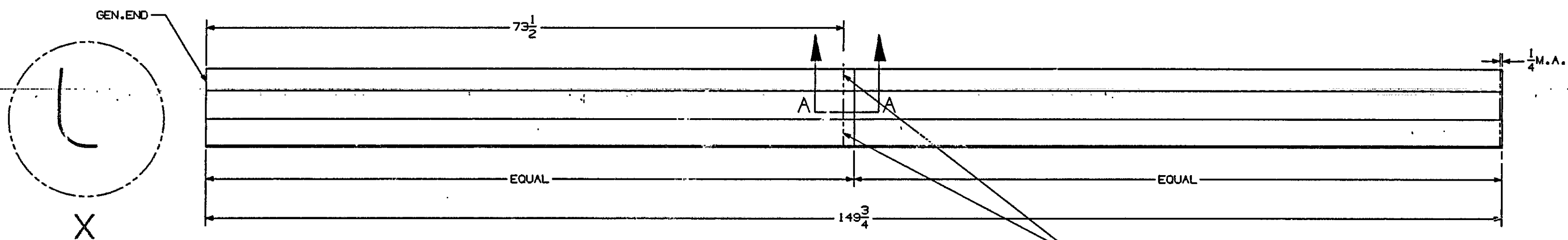
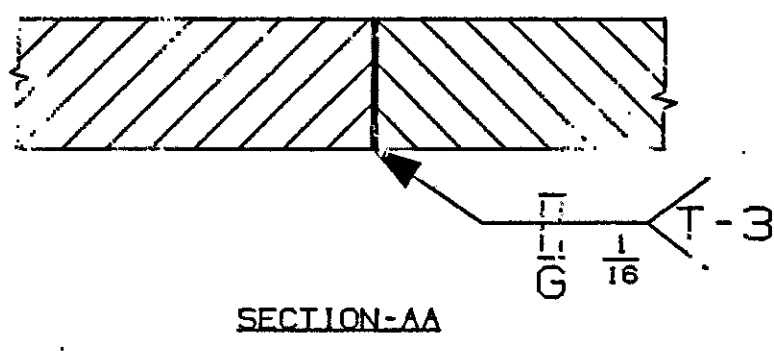


ALT. NO.	ALTERATION	VERIFIED BY	APPROVED BY
(b)	1. DRAWING REVISED & REDRAWN 2. DIM. 78 1/4 DELETED. (NO NOTICE)	[Signature]	[Signature]
(c)	DIM. 8 31/32 WAS 9 1/16 REF CODE/ENG/16CYL/12CW/ 2002/001 Dt. 08/01/2002.	[Signature]	[Signature]
(d)	DEVELOPED WIDTH 11 29/32 WAS 12 (CORRECTION)	[Signature]	[Signature]



DETAIL AT-X



NOTE :-

1. $\sqrt{\text{R}} \text{ ALL CUT SURFACES AND REMOVE BURRS.}$
2. DIMENSIONS SHOWN DO NOT INCLUDE TOLERANCES FOR CUTTING OR WELDING SHRINKAGE.

DEVELOPED WIDTH $11 \frac{29}{32}$ APPROX.

ALL DIMS. ARE IN INCHES
UNLESS OTHERWISE NOTED
IF TOLERANCES NOT STATED FRACTIONAL
MACHINING DIMENSIONS ALLOW 0.010
DO NOT SCALE THE PRINT
ISSUING AUTHORITY : SSE/RECORDS

THIS DRAWING IS A PROPERTY OF BAE SYSTEMS AND ANY UNAUTHORIZED
REPRODUCTION OR DISSEMINATION OF THIS DRAWING IS PROHIBITED
UNLESS AUTHORIZED BY BAE SYSTEMS. THE DRAWING SHALL BE RETURNED TO BAE SYSTEMS UPON REQUEST.

APPROVED BY: [Signature] DATE: 11/5/01
DESIGNED BY: [Signature] DATE: []
DRAWING NO. 0020019
ASSEMBLY PART NO. []

NO.	OFF.	DESCRIPTION	QUANTITY	ITEM	PART NO.	DRAWING No.	MATERIAL	SPECIFICATION
		6RD CYLINDER BLOCK WELDED						

SHEET 1 OF 1

SHELF
FUEL CONTROL COMPARTMENT
WELDED CYL. BLOCK

SCALE: [] VERIFIED BY: [Signature]

PROJECTION: []

ALT: []

WELDED CYLINDER BLOCK

PAR. NO. 10190028
DR. NO. 31B71401-2

US SOLID