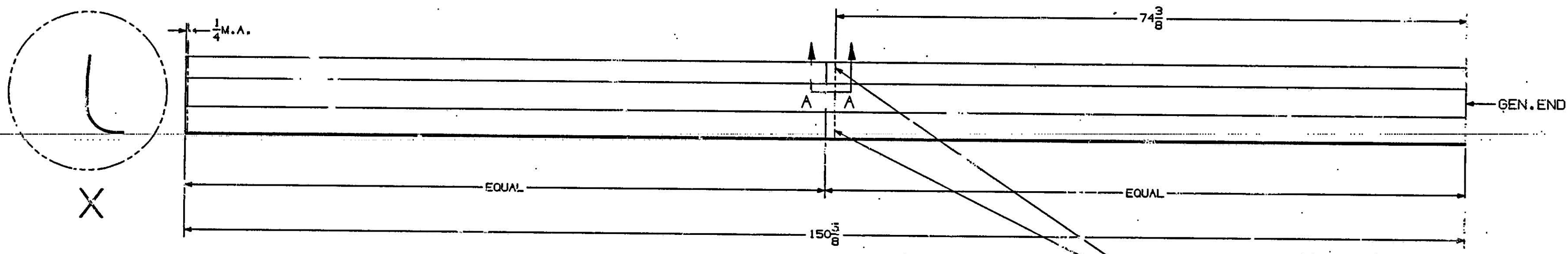
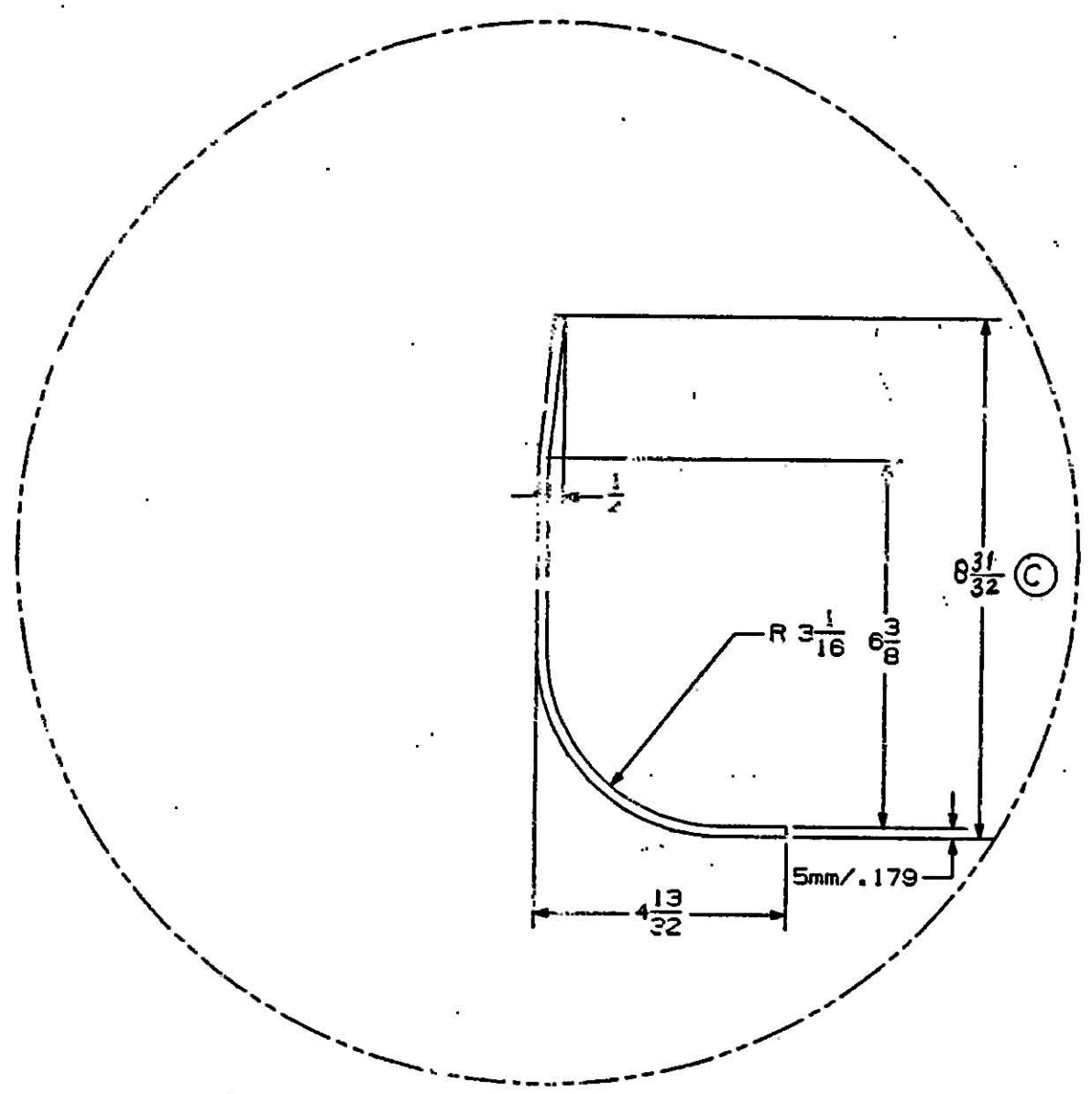


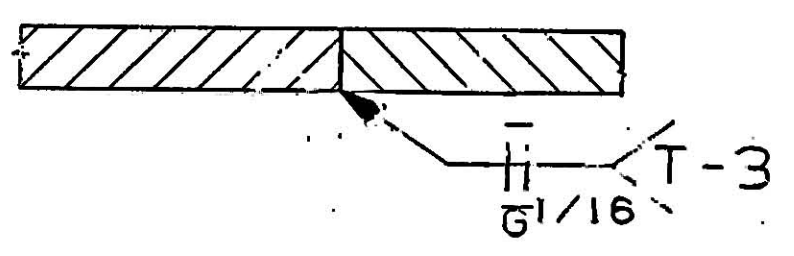
ALT. NO.	ALTERATION	VERIFIED BY	APPROVED BY
ⓐ	1. TRACKING REVISED & REDRAWN 2. DIM. 78 1/4 DELETED. (NO NOTICE)		
ⓒ	DIM. 8 3/32 WAS 9 1/16 REF. CDE/ENG/16CYL/12CYL /2002/001 Dt. 08/01/2002.		
ⓓ	DEVELOPED WIDTH 11 29/32 WAS 12 (CORRECTION)		



PRICK PUNCH THIS LINE FOR A DISTANCE OF APPROX 1" FROM EACH EDGE ON BOTH SIDES FOR ALIGNMENT AT ASSEMBLY.



DETAIL AT-X



SECTION-AA

NOTE: -
1. 100% ALL CUT SURFACES AND REMOVE BURRS.
2. DIMENSIONS SHOWN DO NOT INCLUDE ALLOWANCES FOR CUTTING OR WELDING SHRINKAGE.

DEVELOPED WIDTH [ⓓ] 11 29/32 " APPROX

ALL DIMS. ARE IN INCHES
UNLESS OTHERWISE NOTED
IF TOLERANCES NOT STATED FRACTIONAL
MACHINING DIMS. ALLOW 0.010
DO NOT SCALE THE PRINT.
ISSUE NO AUTHORITY : SEE RECORDS

THIS DRAWING IS A PROPERTY OF BOMBARDIER INC. AND IS NOT TO BE REPRODUCED OR TRANSMITTED IN ANY FORM OR BY ANY MEANS, ELECTRONIC OR MECHANICAL, INCLUDING PHOTOCOPYING, RECORDING, OR BY ANY INFORMATION STORAGE AND RETRIEVAL SYSTEM. WITHOUT THE WRITTEN PERMISSION OF BOMBARDIER INC.

NO.	DESCRIPTION & DIMENSION	ITEM	PART NO.	QTY	MATERIAL	DATE
	GRD. CYLINDER SLOTTED WELDED					
SHELF (L.S.)						
WELD CONTROL COMPARTMENT WELDED CYL. BLOCK						
SCALE: _____						VERIFIED BY: <i>[Signature]</i>
DRAWN BY: <i>[Signature]</i>						DATE: <i>[Date]</i>
PART NO. 10190016						
ORG. NO. 31871401-1						