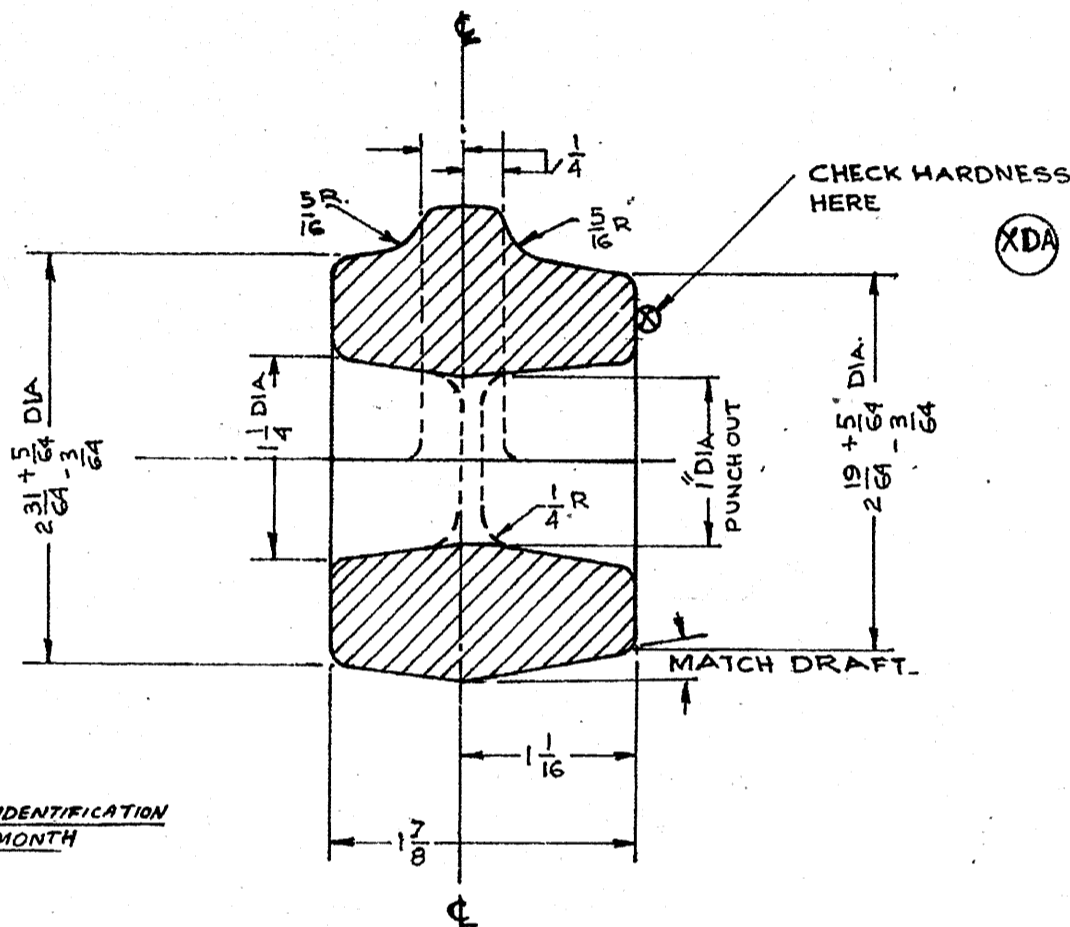
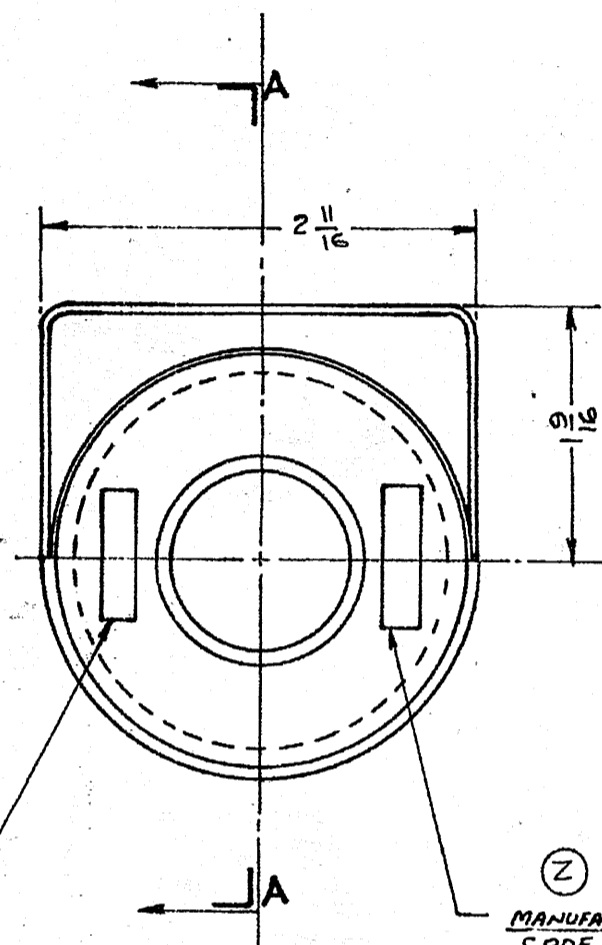


WEIGHT	HEAT TREATMENT NUMBER	MATERIAL AND SPECIFICATION	ALT. NO.	ALTERATION	INITIAL
1.2 KG			(Z)	ADDED MONTH & YEAR. DCW WAS PART NO. (NO NOTICE)	
				ALTERATION	DATE
			(Y)	NOTE-7 ADDED.	16/5/97
			(X)	WEIGHT 1.2 KG ADDED, MANUFACTURING IDENTIFICATION CODE WAS LOCATE FORGE CO. TRADE MARK. NOTE 1-(X) DELETED (VIDE DLW ALT-2) NOTE-7 FOR PACKING CONDITION DELETED (VIDE CMES APPROVAL DT. 7-2-2001)	6/9/01
			(W)	NOTE-3 REVISED. (VIDE DLWALT-d)	19/2/11



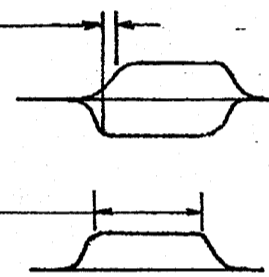
SECTION A-A

(Z) DMW-10140232 IN 1/8 SIZE RAISED FIGURES.

(X) MANUFACTURER IDENTIFICATION CODE MONTH & YEAR

1. DIMENSIONS AND TOLERANCE. (WHERE EVER NOT SPECIFIED)

- (i) DRAFT ANGLES $7^{\circ} \pm 2^{\circ}$
- (ii) CORNER RADIUS $\frac{1}{8}$
- (iii) FILLET RADIUS NOTED
- (iv) THICKNESS TOLERANCE $+\frac{1}{32} - \frac{1}{64}$ HALF THE SPECIFIED
- (v) LENGTH AND WIDTH TOLERANCE $+\frac{1}{32} - \frac{1}{64}$
- (vi) FLAT WITHIN $\frac{1}{64}$
- (vii) MISMATCH. $\frac{1}{64}$



- (viii) FLASH EXTENSION $\frac{1}{32}$
- (ix) ALL DIMENSIONS TAKEN TO THE POINT OF INTERSECTION THUS.

(X) ALL OTHER CONDITIONS SHALL CONFORM TO TOLERANCE FOR IMPRESSION DIE FORGING'S JUNE 1962 ISSUED BY DRA, USA.

2. MACHINING DRAWING.

ROUGH FORGINGS SHALL MACHINE TO SIZES AS SHOWN IN THE MACHINING PART NO. 10140220.

(W) 3. MATERIAL SPECIFICATIONS.

AS PER DMW STANDARD NO. D 81340.

4. MATERIAL TREATMENT OF ROUGH FORGING:-

NORMALISE, QUENCH & TEMPER TO PHYSICALS AS PER D 81340 a.b.

5. FORGING STANDARDS:

AS PER DCW STANDARD SHEET INDEX NO. F.G.S 0010.

6. TESTS.

CHEMISTRY, TENSILE, BRINELL.

(X)(Y) 7 FOR PACKING CONDITION REFER DCW SPECN NO. 11DCW/SPEC/PKG-053

VALIDATED
DATE: 20/11/97

ALL DIMENSIONS ARE IN INCHES. OTHERWISE NOTED. IF TOLERANCES NOT STATED FRACTIONAL MACHINING DIMENSIONS ALLOW $\pm .010$. DO NOT SCALE THE PRINT.

		SUPERSEDES	SCALE	INITIAL	
4	10021115		1:1	AWM	DY.CME
4	10020329			SDO	
4	10020160			CHD	
12 CYL. VEE ENGINE	NUT WINGED (CENTRE MAIN BRG. STUD TOP) FORGING			DRN	TMG
6 CYL. INLINE ENGINE				TRD	
18 CYL. VEE ENGINE					
DIESEL COMPONENT WORKS				PART NO. 10140232	
PATIALA					