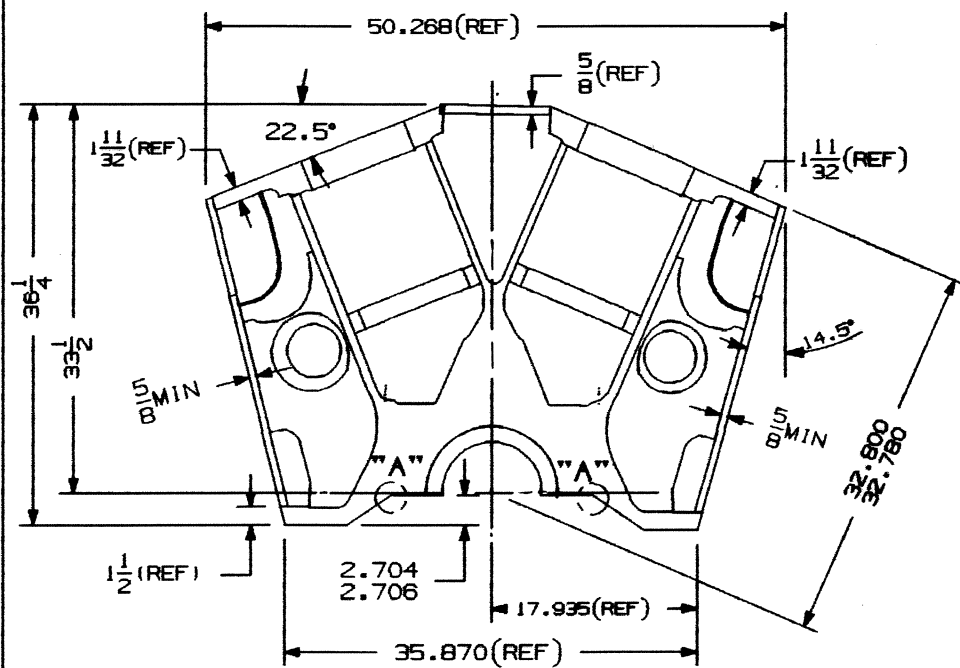
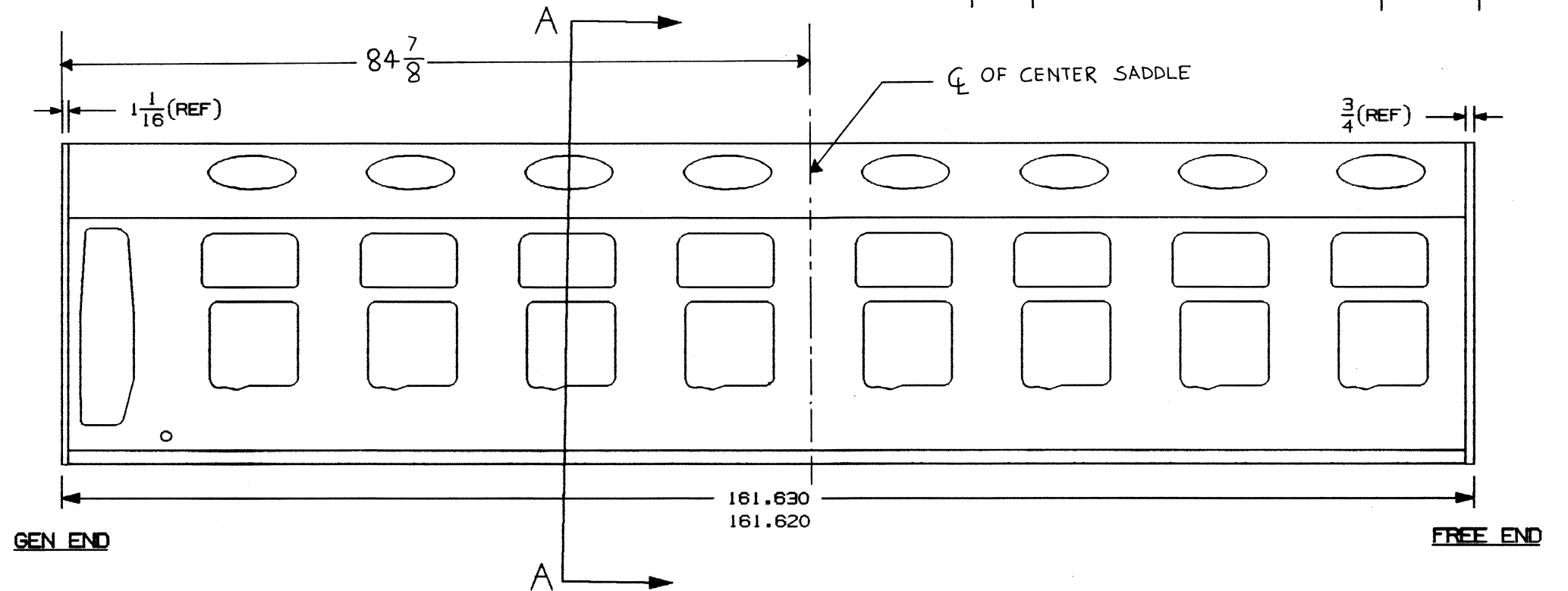


NOTE: - FOR MANUFACTURER IDENTIFICATION
REF DRG NO. 50D78097.

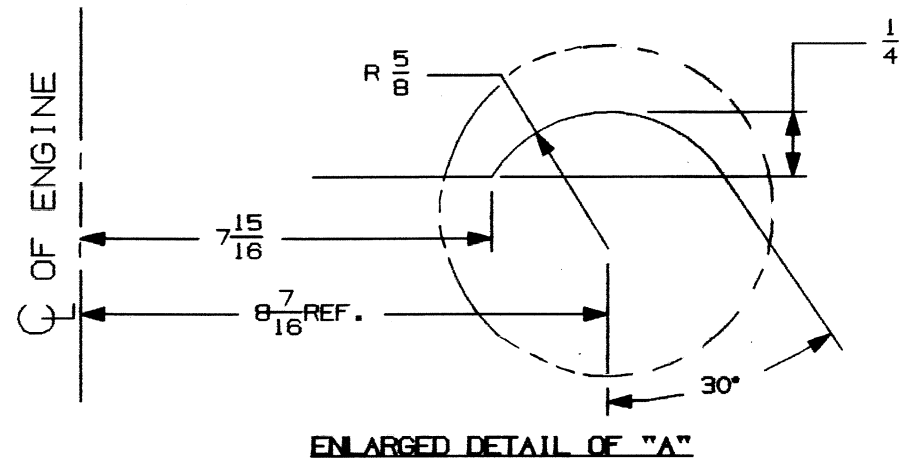
ALT. NO.	ALTERATION	VERIFIED BY SSE/ENG	APPROVED BY
a	MANUFACTURER IDENTIFICATION NOTE ADDED.	<i>[Signature]</i> 9/07/09	<i>[Signature]</i> 8/27/09



SECTION A-A



NOTE: - FOR FABRICATION OF BLOCK, REFER DLW PART NO. 10020019.



ENLARGED DETAIL OF "A"

THIS DRAWING IS A PROPERTY OF DLW/INDIAN RAILWAYS AND ANY UNAUTHORISED USE OF THE DRAWING WILL BE CONSIDERED ILLIGAL AND DLW/INDIAN RAILWAYS WILL HAVE RIGHT TO INITIATE LEGAL PROCEEDINGS AGAINST THE DEFAULTERS.

ALL DIMS. ARE IN INCHES.
UNLESS OTHERWISE NOTED
IF TOLERANCE NOT STATED
FRACTIONAL MACHINING
DIMENSIONS ALLOW ±0.010

[Signature]
DY.CDE/ENG.

[Signature]
SDE/ENG

APPROVED BY

10020070
ASSLY. PART NO.

NO.OFF	DESCRIPTION & DIMENSION	ITEM	PART NO.	WT./UNIT	MATERIAL	SPECIFICATION
GROUP : CYLINDER BLOCK				SUPERSEDED BY		
<p style="text-align: center;">ENVELOP MACHINING FOR 16 CYLINDER BLOCK</p>				SUPERSEDES		
				SCALE	VERIFIED BY S.S.E/ENG	<i>[Signature]</i> 5.4.07
				PROJECTION	CHD.	<i>[Signature]</i> 05.04.07
				DRN.	<i>[Signature]</i> 05.04.07	
				PART NO. 10021528		

DLW DIESEL LOCOMOTIVE WORKS
VARANASI